

Washroom Specifications

TOILET ROLL HOLDERS

RESCO

Ablution Solutions

Single Toilet Roll Holder ML-113

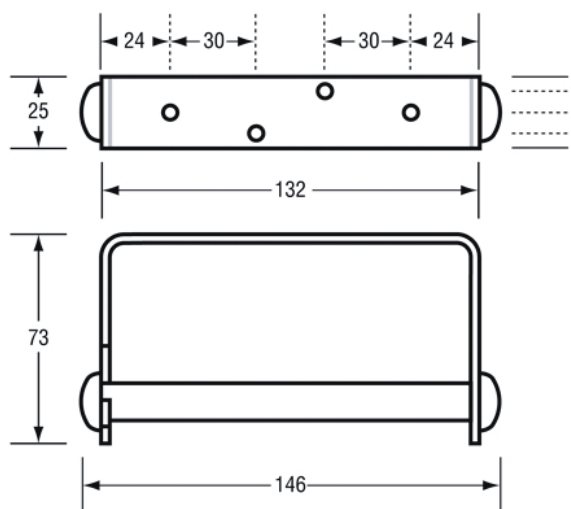
ANTIMICROBIAL
HYGIENE FOR LIFE



SPECIFICATIONS

Material	#304 Stainless Steel
Finish	Satin Stainless Steel
Mounting	Surface Mount Visible Fix
Capacity	Holds one standard Toilet roll

*This unit is accessible compliant when installed in accordance with NZS 4121:2001-Section 10.



Resco Ltd. 12 Kahu Crescent, Te Rapa, Hamilton 3200, New Zealand
Freephone: 0800 800 950 Phone: 07 850 1025 Fax: 07 850 1026
Email: service@resco.co.nz Website: www.resco.co.nz

