

Washroom Specifications

TOILET ROLL HOLDERS

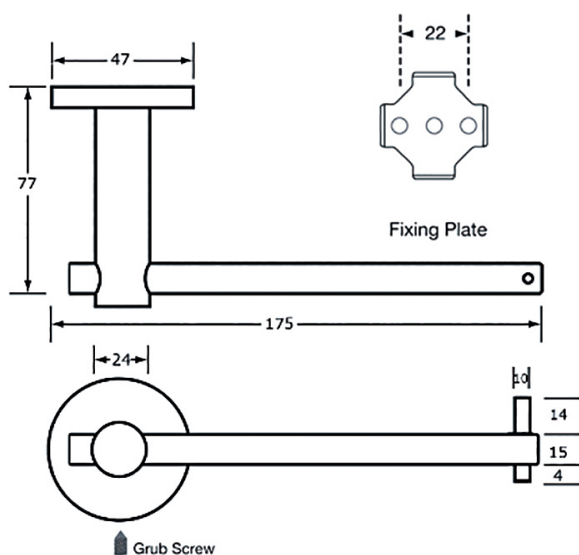
RESCO

Ablution Solutions

Single Toilet Roll Holder

ANMB-700-TRH

ANTIMICROBIAL
HYGIENE FOR LIFE



SPECIFICATIONS

Material	#304 Stainless Steel, 15mmØ Solid Horizontal Bar
Finish	Antimicrobial Coated
Mounting	Surface Mount Security Concealed Fix
Capacity	Holds one standard toilet roll

*This unit is accessible compliant when installed in accordance with NZS 4121:2001-Section 10.



Resco Ltd. 12 Kahu Crescent, Te Rapa, Hamilton 3200, New Zealand
Freephone: 0800 800 950 Phone: 07 850 1025 Fax: 07 850 1026
Email: service@resco.co.nz Website: www.resco.co.nz

