

# Washroom Specifications

## TOILET ROLL HOLDERS

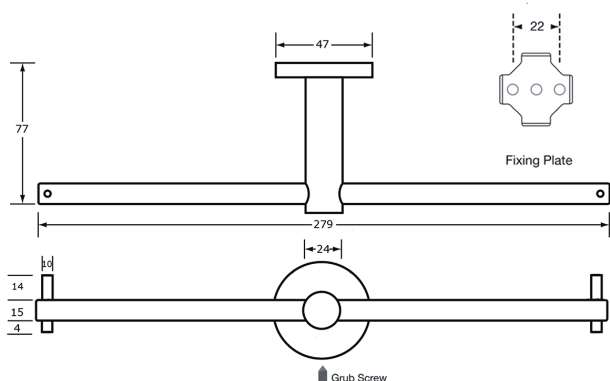
# RESCO

Ablution Solutions

### Double Toilet Roll Holder

ANMB-700-2TRH

**ANTIMICROBIAL**  
HYGIENE FOR LIFE



#### SPECIFICATIONS

Material	#304 Stainless Steel, 15mmØ Solid Horizontal Bar
Finish	Antimicrobial Coated
Mounting	Surface Mount Security Concealed Fix
Capacity	Holds two standard toilet rolls

\*This unit is accessible compliant when installed in accordance with NZS 4121:2001-Section 10.



Resco Ltd. 12 Kahu Crescent, Te Rapa, Hamilton 3200, New Zealand  
Freephone: 0800 800 950 Phone: 07 850 1025 Fax: 07 850 1026  
Email: [service@resco.co.nz](mailto:service@resco.co.nz), Website: [www.resco.co.nz](http://www.resco.co.nz)

