

Washroom Specifications

RESCO

Ablution Solutions

PAPER TOWEL / COMBINATION UNITS

Paper Towel Dispenser

DESIGNER-ML725

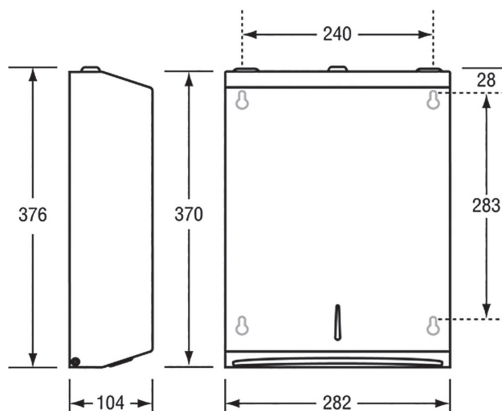
ML725SS-MK2

ML725W-MK2

SATIN MATTE BLACK

SATIN STAINLESS STEEL

WHITE POWDER COAT



SPECIFICATIONS

Finish	Satin Matte Black
	Satin Stainless Steel
Material	#304 Stainless Steel
Finish	White Powder Coat
Material	Cold Rolled Steel
Mounting	Surface Mount Concealed Fix
Dispenser/Options	450 C-fold paper towels
	600 Multi-fold paper towels
Features	Unit fitted with tumbler lock
	Front View Paper Indicator
Note	Unit is supplied with 2 keys

*This unit is accessible compliant when installed in accordance with NZS 4121:2001-Section 10.



Resco Ltd. 12 Kahu Crescent, Te Rapa, Hamilton 3200, New Zealand
Freephone: 0800 800 950 Phone: 07 850 1025 Fax: 07 850 1026
Email: service@resco.co.nz Website: www.resco.co.nz

