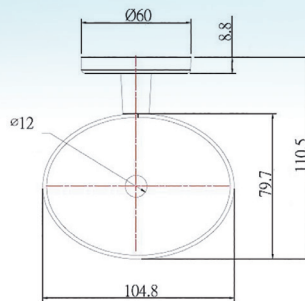


Our stylish and functional range of wall mounted and recessed soap dishes, shampoo holders and baskets have been specifically developed to cater for use in commercial washrooms, public amenities and domestic applications.

Soap Dish with Drain Hole *ML3359B-XH*



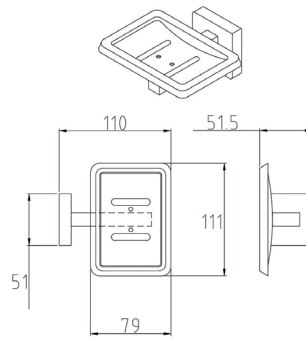
SPECIFICATIONS

Material	Die Cast Zinc
Finish	Bright Chrome
Mounting	Surface Mount Concealed Fix

Overall Size 105mmW x 60mmH x 110mmD

*This unit is accessible compliant when installed in accordance with NZS 4121:2001-Section 10.

Soap Dish with Drain Hole *ML230S*

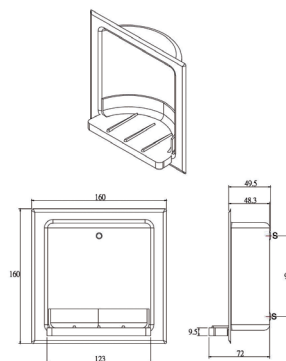


SPECIFICATIONS

Material	#304 Stainless Steel
Finish	Satin Stainless Steel
Mounting	Surface Mount Concealed Fix
Overall Size	111mmW x 51.5mmH x 110mmD

*This unit is accessible compliant when installed in accordance with NZS 4121:2001-Section 10.

Recessed Soap Dish *ML232S*



SPECIFICATIONS

Material	#304 Stainless Steel
Finish	Satin Stainless Steel
Mounting	Recess Mount Visible Fix
Features	Removable Acrylic Tray
Overall Size	160mmW x 160mmH x 72mmD
Wall Opening	140mmW x 140mmH x 51mmD

*This unit is accessible compliant when installed in accordance with NZS 4121:2001-Section 10.