

|   |                           |
|---|---------------------------|
| Product:<br>Resco Series                                  | Product Code:<br>S-5000WW |
| Installation Guide<br>Wall to wall version. November 2017 |                           |

# RESCO

## *Series* **5000**

*Standard cubicle systems*

# Step-by-step Installation Guide

WALL TO WALL VERSION

NOVEMBER 2017

**IMPORTANT**

# SAFE PANEL HANDLING INSTRUCTIONS



Although Compact Laminate panels are tough and durable, they must be treated with care. Panels can be damaged if not stored or handled properly during assembly.

**STORE INSIDE** and keep in original packaging until needed.

**USE CAUTION,** machined edges may be razor sharp!

**DO NOT** store in sun or rain, or at high temperatures.

**DO NOT** slide panels - LIFT them!

Sheets can scratch if not stored correctly - ensure free of dust and debris.

**DO NOT** walk-over.

**2 MAN LIFT.** Use suction lifting aids if available.

Take care when moving panels they can be damaged if not handled correctly.

**PERSONAL PROTECTION.**

**Eye:** Dust resistant safety glasses should be worn when machining.

**Skin:** Protective gloves should be worn.

**Respiratory:** A class P1 or P2 replaceable filter or disposable half face piece particulates respirator should be worn when machining.

**Flammability:** Keep all storage and work areas well ventilated to avoid a buildup of dust that could ignite.

**FIRST AID MEASURES.**

**Eye:** Flush with flowing water for at least 15 minutes, and if symptoms persist seek medical attention.

**Skin:** Wash with mild soap and running water. Seek medical attention if symptoms persist. For cuts, clean wound and apply antiseptic dressing.

**Inhaled:** Leave the dusty area.



# IMPORTANT

## CLEANING & MAINTENANCE OF COMPACT LAMINATE

Compact laminate is engineered to last for many years. We provide a 10 year guarantee on panel integrity.

The non-porous surface is easy to clean. The decorative surface and resin core of Compact Laminate is impervious and resistant to most commonly used cleaning agents and disinfectants.



### Recommended cleaning agents

Surfaces can be easily cleaned with a dry or damp cloth and if necessary a mild household cleaner.

- **General cleaning:** All-purpose cleaner (e.g. Ajax Spray & Wipe), household cleaners, water or soap are recommended.  
It is resistant to everyday wear and tear but needs some attention for harsh conditions and staining.
- **Surfaces and edges:** Are easy to disinfect with hot water, steam and all common types of disinfectant used in hospitals and professional applications.
- **Spray paint:** Turpentine or SPC 801.
- **Permanent marker:** Methylated spirits or SPC 801.

### Never use any of the following on the panels, aluminium or hardware:

- Do not use abrasive or polishing materials. Abrasive cleaners such as Jif Cream Cleanser, Ajax (powder or liquid), Chemco, Brasso, Mr. Muscle oven cleaner or Scrub free.
- Scourer pads, Wire wool or Sandpaper.
- High pressure water cleaning or steam cleaning of panels is not recommended.
- Neat Janola or other equivalent brands of bleaches.
- Any product containing strong mineral acid such as sulphuric acid, Battery acid, hydrochloric acid, nitric acid or phosphoric acid. Commercial toilet cleaners, grout removers, descalants, rust removers, bleach, etc.
- Care must be taken where cleaning agents or solvents are highly acidic or alkaline as these may permanently damage the surface.

### Ongoing Maintenance:

- The use of CRC or equivalent on hinges and indicator bolts is recommended at least once every 3 months (sooner for challenging environments).
- An occasional re-finish of the exposed edges with an “off the shelf” wood-polish will rejuvenate the original polished seen edges.
- Any chemicals should be washed off so that they don't keep working.
- Finger prints and other such surface marks can be neutralised with a silicone spray and a micro-fibre cloth.

See our Web site:

[www.resco.co.nz/product/multicom](http://www.resco.co.nz/product/multicom) - Cleaning instructions

For removal of graffiti – Please call our customer service team **0800 800 950**

## Step-by-step Installation Guide

Follow the installation instructions and reference numbered steps on the illustrations.

## IMPORTANT NOTES

- When screwing into compact you must pre-drill.
- Use low setting on your drills when screw fixing into Compact Laminate. Compact Laminate can break screws or damage the head if your drill is too powerful.
- Don't use hammer drills when installing into Compact Laminate.
- Compact Laminate and Aluminium can damage if not stored or treated properly – take care when you are moving sheets. Larger sheets require 2-man lift.
- The system will be packed so division panels are at the top and the doors are at the bottom.
- Use Diamond tip drill bits for drilling into tiles.
- Oversize Fascias – rivet infill in the middle (of the 2 other rivets on the other side) of the pedestal at the opposite side to ensure that the infill can't be moved.

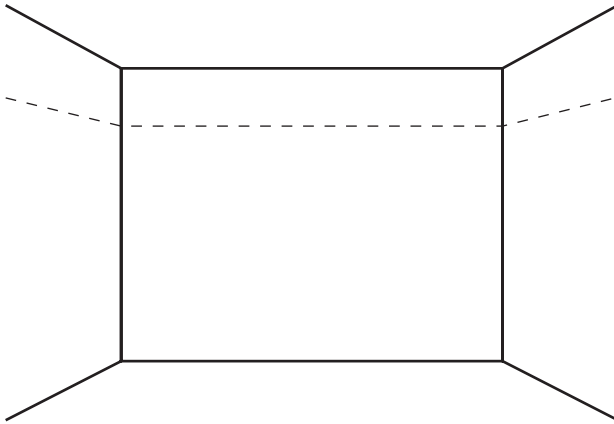
Sit in place and ensure that all the doors are perfect before final rivet. Therefore you can adjust. Ensure plumb both ways.

### Tools needed

- Level
- String line
- Chalk line
- Stool or small step ladder
- Timber blocks (155 mm)
- Timber wedges
- Rivet tool
- 3.5 mm drill bit
- 5 mm Masonry bit
- No. 1 Square drive
- No. 2 Pozi-drive
- Drop saw
- Nylon hammer
- Circular saw

# Series5000 WALL TO WALL VERSION

## Step 1



From the plans mark Datum on relevant walls.

Ensure that the lowest point in the floor is used for Datum otherwise posts could be too long, the system could be on an angle, or the Head rail height could be too low.

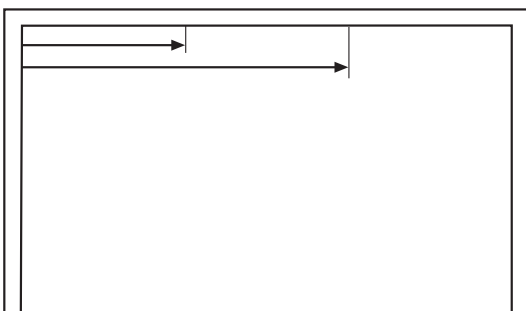
**Note: on our proprietary system the Datum is normally 1955mm.**

## Step 2



From the plans, mark the location of the front of the cubicles.

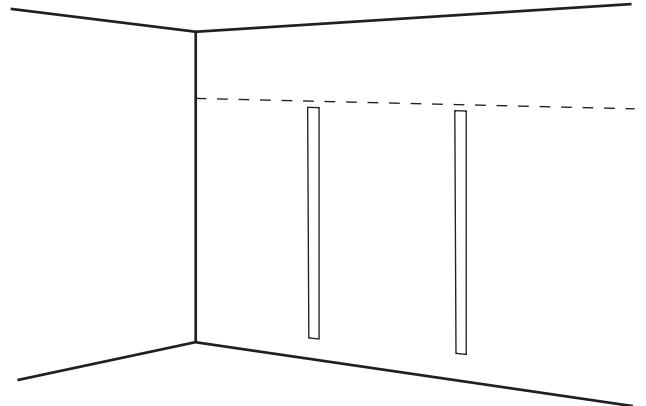
## Step 3



From the plans, mark the division centers on the back wall.

Check location of toilets and ensure centered (these are sometimes fitted different to the plans).

## Step 4



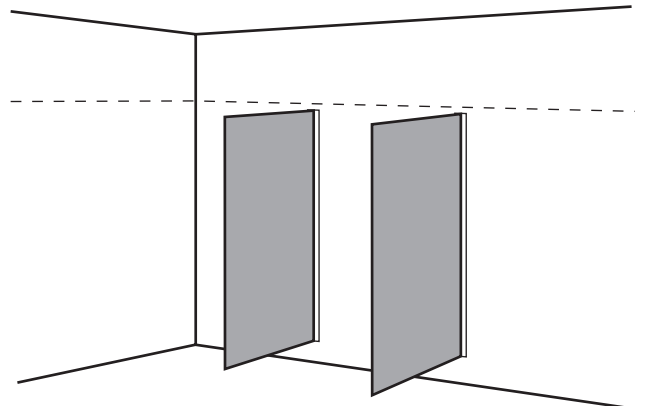
Fix back U-channels (1748mm) centered on your marks, 47mm below the Datum line.

The U-channels are predrilled.

Ensure screws go into wall frame.

**Use (A) 8GA x 32 screws  
(with a (F) plastic anchor if required)**

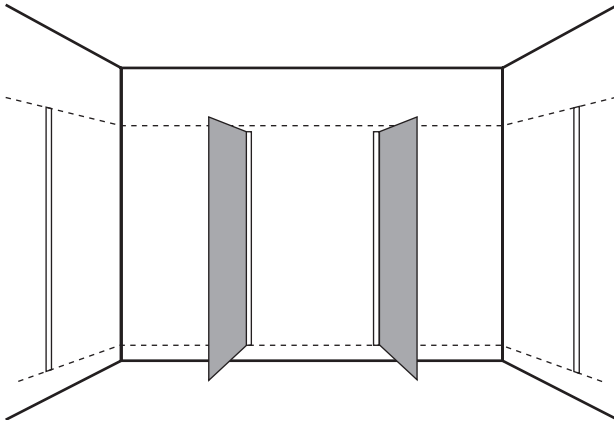
## Step 5



Place division panels into rear U-Channels with 4x2 blocks underneath to make them level (wedges will be required).

Ensure flush with the top of the U-Channel.

## Step 6

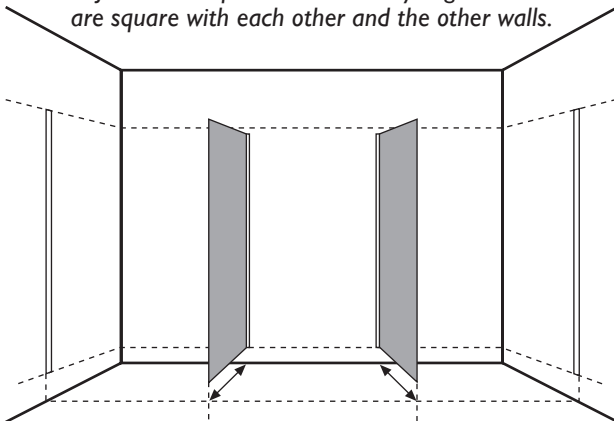


Fix side U-Channels (1795mm) flush with Datum and centered on Marks. The U-Channels are predrilled. Ensure screws go into wall frame.

**Use (A) 8GA x 32 screws.**

## Step 7

*Adjust division panels so that they align and are square with each other and the other walls.*



Mark a 'front face' chalk line on the floor.

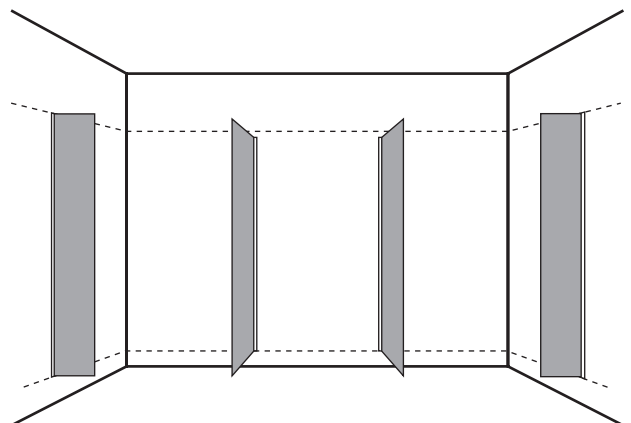
- a. Chalk line from the centre of the side wall U-Channels.
- b. Adjust division panels so they are -10mm from the chalk line and aligned with the top of the U-Channel then fix.

Rivet once 50mm down from the top of the U-Channel, through one side.

**Use 3.5mm drill bit with (D) Stainless Steel Pop Rivets.**

Note: Sometimes the back wall is not straight. This can be OK as you can either trim the division panels as required, or adjust the front face. Just ensure to remark the chalk line and that it's straight, fits and look good.

## Step 8



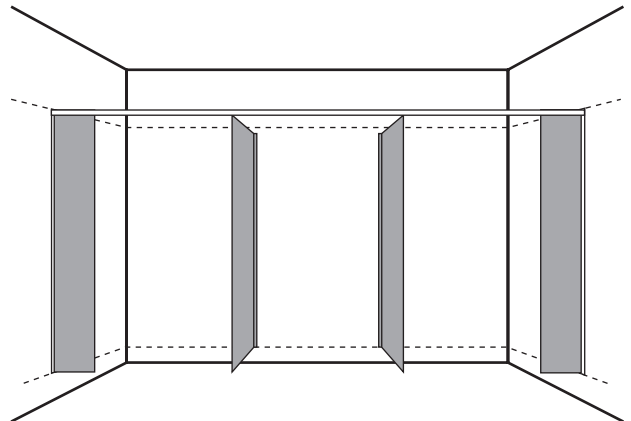
Place hinged Fascia into side U-Channels and align at the bottom.

Ensure Plumb, then Fix on the inside of the cubicle with 4 Rivets, 30mm and 600mm down from the top and the same up from the bottom.

**Use 3.5mm drill bit with (D) Stainless Steel Pop Rivets.**

Sit the other end Fascia in place. (Do not fix rivet yet).

## Step 9



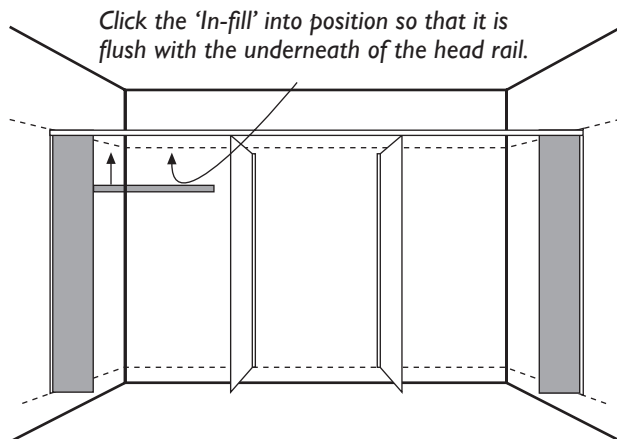
Place the Head rail on, ensuring flush with the walls.

- a. Fix into hinged Fascia, with rivets through the top, 20mm from each end.
- b. Ensure you drill holes straight so you don't drill through the panel.

**Use 3.5mm drill bit with (D) Stainless Steel Pop Rivets.**

# Series5000 WALL TO WALL VERSION

## Step 10

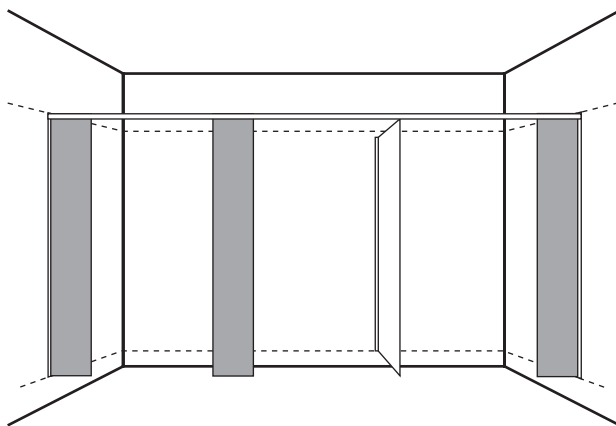


Starting at the hinge Fascia, insert first Door Infill into Head rail.

Clip into place.

This will determine where the next Fascia fits.

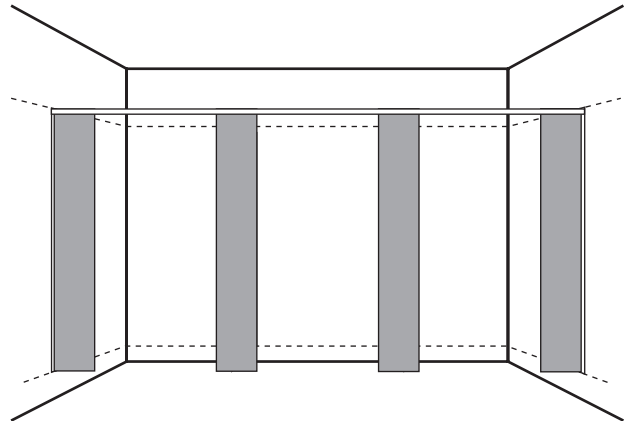
## Step 11



Put 2nd Fascia into head rail.

- a.** Ensure it is hard into head rail, hard against the infill & on to the end of the first division panel. Just sit in place with blocks and wedges, lift to correct height so the bottom of Fascia is flush with the bottom of the division panel. (Do not fix at this stage).
- b.** Ensure Division panel is slotted into U-Channel.

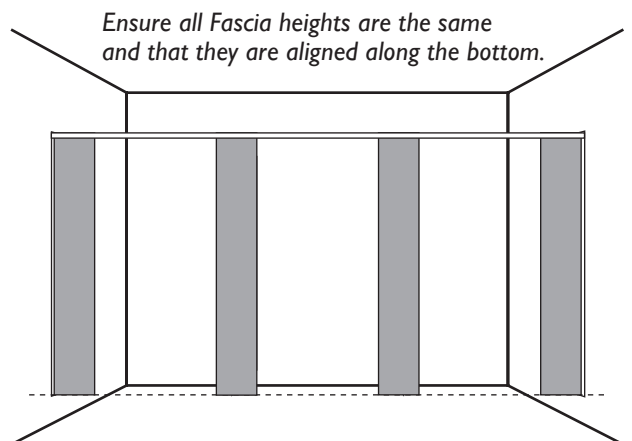
## Step 12



Repeat steps for the other Fascias.

Leave fixing the last sidewall Fascia, as it may need trimming.

## Step 13

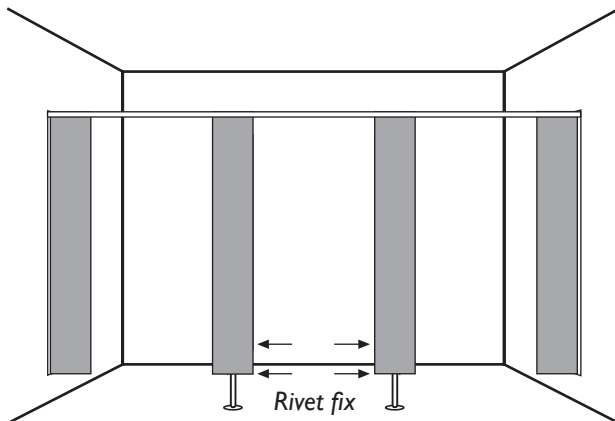


Ensure all Fascia heights are the same.

Use laser level or string line to check the bottom of all Fascias are level.

Ensure aligned across the front face.

## Step 14



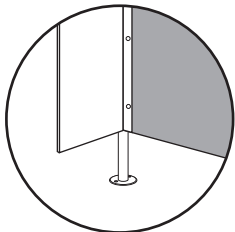
Fix Divisions to Fascia at base only.

**Use 3.5mm drill bit with (D) Stainless Steel Pop Rivets 30mm up from the bottom.**

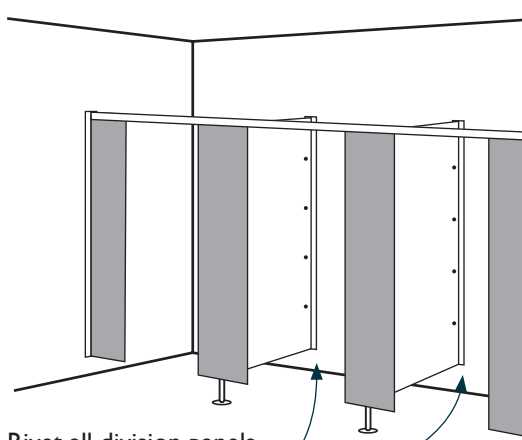
Drop pedestal to required height.

Ensure pedestals holes are parallel with the front face and rivet pedestal to U-Channel using 2 rivets on short side of channel.

**Use 3.5mm drill bit with (D) Stainless Steel Pop Rivet up 50mm & 150mm from the bottom.**



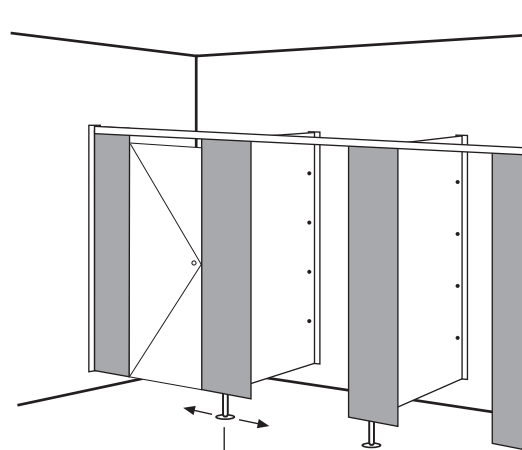
## Step 15



Rivet all division panels to back U-Channel.

**Use 3.5mm drill bit with (D) Stainless Steel Pop Rivets 30mm and 600mm from the top and the same from the bottom.**

## Step 16



*Adjust pedestals so that the gap is consistent.*

Starting from the first cubicle, use a door infill to space the bottom of the door.

Hang 1st door. **Use (B) 8GA x 12 screws.**

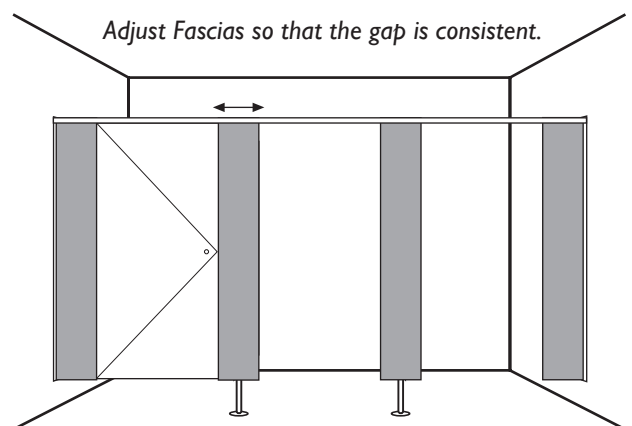
**a.** Close door and adjust Fascia across so gaps consistent.

Fix pedestal to floor.

**Use (A) 8GA x 32 screws plus (F) plastic anchor.**

**b.** Ensure plumb with holes parallel to the front, and door gaps are consistent.

## Step 17



*Adjust Fascias so that the gap is consistent.*

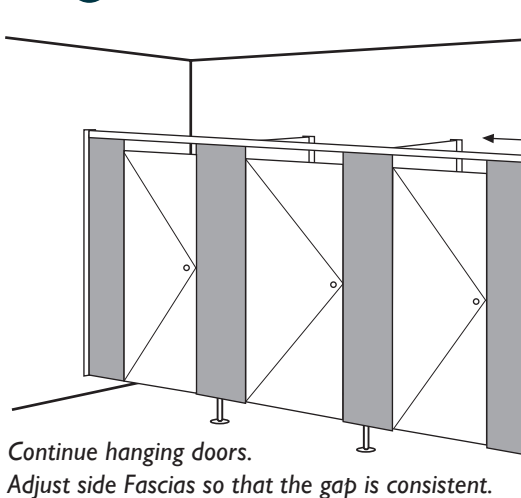
Close door, and adjust top as necessary to make the gap the same, then rivet through the top.

**Use 3.5mm drill bit with (D) Stainless Steel Pop Rivets.**

Repeat last 2 steps for all Fascias.



## Step 18



Continue hanging doors.  
Adjust side Fascias so that the gap is consistent.

You may need to trim the last Fascia panel on the side or return wall.

### Use a tungsten tipped blade.

Ensure it is hard into head rail.

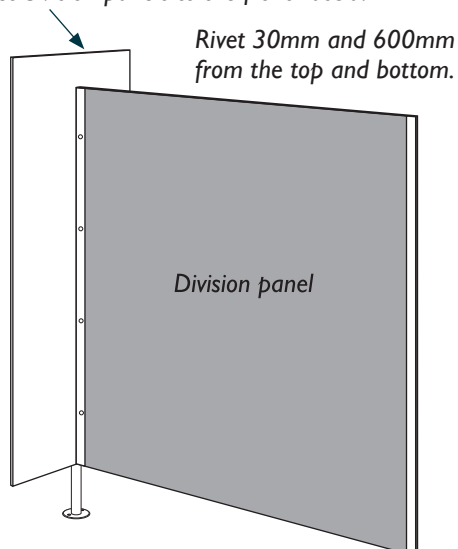
Just sit in place with blocks and wedges, lift to correct height so the bottom of Fascia is flush with the bottom of the division panel.

Rivet in place at the top.

### Use 3.5mm drill bit with (D) Stainless Steel Pop Rivets.

## Step 19

Rivet division panels to the front Fascia.



Finish riveting Fascias to division panels (rivet from the top down, 30mm and 600mm then up from the bottom 30mm and 600mm).

Rivet through top of head rail every 200mm and 20mm from all edges.

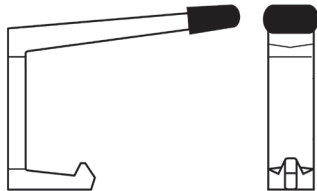
### Use 3.5mm drill bit with (D) Stainless Steel Pop Rivets.

## Step 20 Fit hardware.

### COAT HOOK

Line up the coat hook with the pre-drilled holes in the doors and screw on.

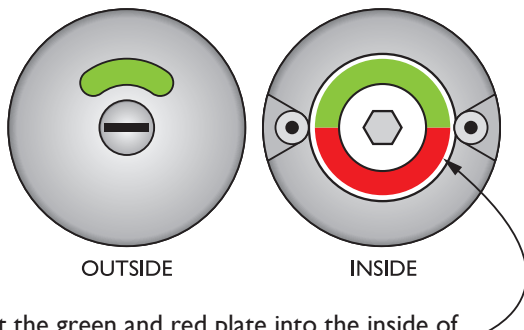
**Use (B) 8GA x 12 screws.**



Fix the indicator bolt in the pre-drilled position.

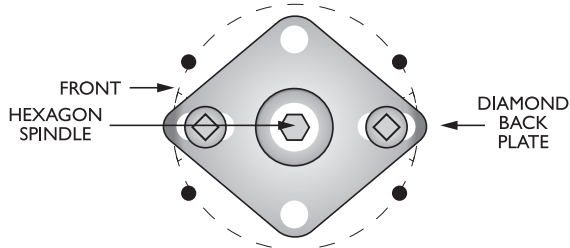
### INDICATOR BOLT

#### Step 01 - Front Component



Insert the green and red plate into the inside of the front component of the indicator bolt.

#### Step 02 - Diamond Back Plate



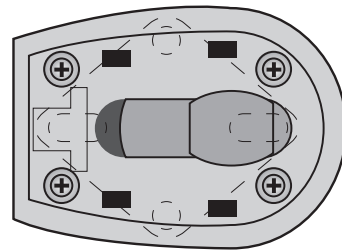
Fix the front part of the indicator bolt to the outside of the door using the diamond back plate on the inside of the door.

**Use 2 x 8g x 1/2 screws.**

Insert the hexagon shaped spindle into the front plate from the inside.

Check the indicator is green and then check the bolt lock is in the Open position.

#### Step 03 - Inside Bolt

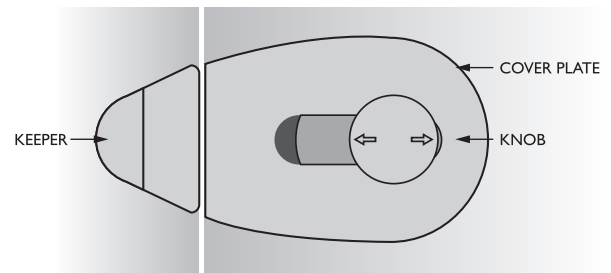


Screw the inside bolt component onto the inside of the door over the Diamond Back Plate.

**Use 4 x 6g x 20mm screws.**

Check that the lock can slide back and forth smoothly. In case it jams it means that the hexagon spindle is not perfectly perpendicular. You will need to gently slide the front of the indicator left/right.

#### Step 04 - Coverplate, Knob & Keeper



Then clip on the cover plate. Push on the knob and tighten the grub screws with the allen key supplied. Finally Fix the keeper on the fascia.

**Use 2 x 8g x 1/2 screws.**

#### Step 21 Clean Panels

Clean all components, including pencil marks on the floor and walls.

Sweep the floor and remove rubbish.

Wipe down with soapy water.

# RESCO

Resco Limited.  
12 Kahu Crescent  
Te Rapa Park, Hamilton 3200. New Zealand  
Phone: 0800 800 950, +64 850 1025  
Fax: +64 7 850 1026  
(www.resco.co.nz)

©Resco April 2017

# RESCO

5330