

Product: Modesty Screen	Product Code: M-Screen
Installation Guide Updated March 2018	

# RESCO

## *Modesty* **Screens**

*Perfect for wet and high abuse areas*

# Step-by-step Installation Guide

March 2018

**IMPORTANT**

**SAFE PANEL HANDLING INSTRUCTIONS**



Although Compact Laminate panels are tough and durable, they must be treated with care. Panels can be damaged if not stored or handled properly during assembly.

**STORE INSIDE** and keep in original packaging until needed.

**USE CAUTION,** machined edges may be razor sharp!

**DO NOT** store in sun or rain, or at high temperatures.

**DO NOT** slide panels - LIFT them!

Sheets can scratch if not stored correctly - ensure free of dust and debris.

**DO NOT** walk-over.

**2 MAN LIFT.** Use suction lifting aids if available.

Take care when moving panels they can be damaged if not handled correctly.

**PERSONAL PROTECTION.**

**Eye:** Dust resistant safety glasses should be worn when machining.

**Skin:** Protective gloves should be worn.

**Respiratory:** A class P1 or P2 replaceable filter or disposable half face piece particulates respirator should be worn when machining.

**Flammability:** Keep all storage and work areas well ventilated to avoid a buildup of dust that could ignite.

**FIRST AID MEASURES.**

**Eye:** Flush with flowing water for at least 15 minutes, and if symptoms persist seek medical attention.

**Skin:** Wash with mild soap and running water. Seek medical attention if symptoms persist. For cuts, clean wound and apply antiseptic dressing.

**Inhaled:** Leave the dusty area.



IMPORTANT

## CLEANING & MAINTENANCE OF COMPACT LAMINATE

Compact laminate is engineered to last for many years. We provide a 10 year guarantee on panel integrity.

The non-porous surface is easy to clean. The decorative surface and resin core of Compact Laminate is impervious and resistant to most commonly used cleaning agents and disinfectants.



### Recommended cleaning agents

Surfaces can be easily cleaned with a dry or damp cloth and if necessary a mild household cleaner.

- **General cleaning:** All-purpose cleaner (e.g. Ajax Spray & Wipe), household cleaners, water or soap are recommended.  
It is resistant to everyday wear and tear but needs some attention for harsh conditions and staining.
- **Surfaces and edges:** Are easy to disinfect with hot water, steam and all common types of disinfectant used in hospitals and professional applications.
- **Spray paint:** Turpentine or SPC 801.
- **Permanent marker:** Methylated spirits or SPC 801.

### Never use any of the following on the panels, aluminium or hardware:

- Do not use abrasive or polishing materials. Abrasive cleaners such as Jif Cream Cleanser, Ajax (powder or liquid), Chemco, Brasso, Mr. Muscle oven cleaner or Scrub free.
- Scourer pads, Wire wool or Sandpaper.
- High pressure water cleaning or steam cleaning of panels is not recommended.
- Neat Janola or other equivalent brands of bleaches.
- Any product containing strong mineral acid such as sulphuric acid, Battery acid, hydrochloric acid, nitric acid or phosphoric acid. Commercial toilet cleaners, grout removers, descalants, rust removers, bleach, etc.
- Care must be taken where cleaning agents or solvents are highly acidic or alkaline as these may permanently damage the surface.

### Ongoing Maintenance:

- The use of CRC or equivalent on hinges and indicator bolts is recommended at least once every 3 months (sooner for challenging environments).
- An occasional re-finish of the exposed edges with an “off the shelf” wood-polish will rejuvenate the original polished seen edges.
- Any chemicals should be washed off so that they don't keep working.
- Finger prints and other such surface marks can be neutralised with a silicone spray and a micro-fibre cloth.

See our Web site:

[www.resco.co.nz/product/multicom](http://www.resco.co.nz/product/multicom) - Cleaning instructions

For removal of graffiti – Please call our customer service team **0800 800 950**

## Step-by-step Installation Guide

Follow the installation instructions and reference numbered steps on the illustrations.

Resco's privacy screens are perfect for high use and wet areas. The Compact Laminate panels provide extended product life, and the screen colour can be matched to, or contrasted with, the colour of the partitioning system or wall panels.

### Features:

- Smooth screen surface area for easy cleaning.
- Available in many colours.
- CNC machined half-round edging.
- Very low maintenance cost.

### Handling of Compact Laminate

Although sheets are tough and durable they must be treated with care.

- Sheets can scratch if not stored properly. Ensure you cover sheets so that dust or debris doesn't get between panels – this can cause panels to scratch.

Being double sided, scratched or chipped sheets can be used on the reverse.

- Panels can chip if they are not handled properly. Ensure that you move them as little as possible. If you lean them against the wall – place clean cardboard underneath, and against the wall.
- Don't walk over pallets or store anything on top. Ensure they are stored free of debris and out of the way.

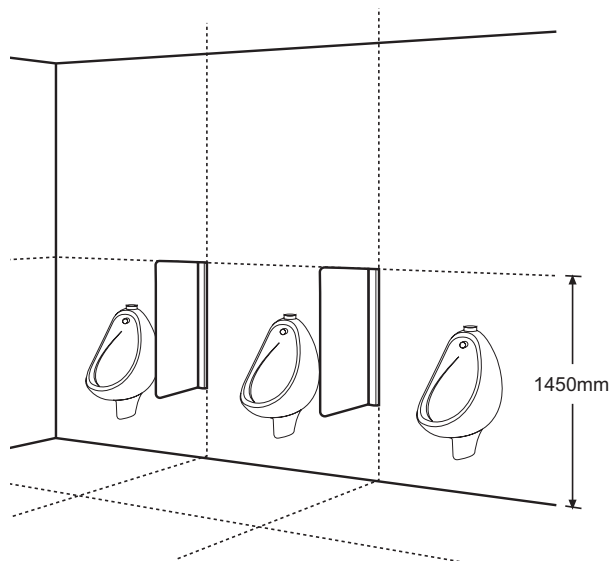
## IMPORTANT NOTES

- When screwing into Compact Laminate you must pre-drill.
- Use low setting on your drills when screw fixing into Compact Laminate. Compact Laminate can break screws or damage the head if your drill is too powerful.
- Don't use hammer drills when installing into Compact Laminate.
- Compact Laminate and Aluminium can damage if not stored or treated properly – take care when you are moving components.
- Use Diamond tip drill bits for drilling into tiles.

### Tools needed

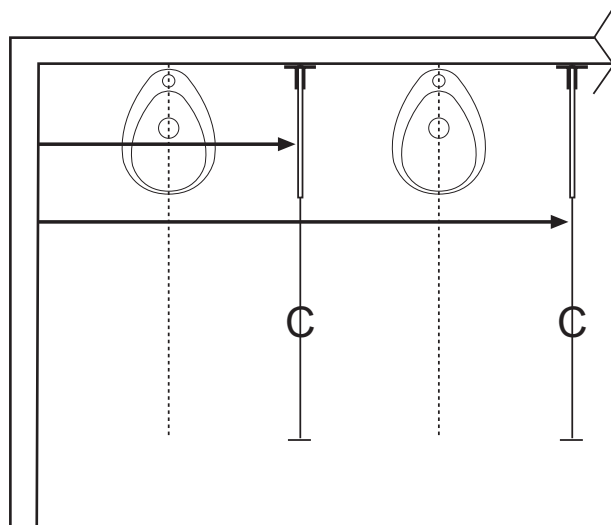
- Level
- No. 2 Pozi-drive
- Flat head screw driver

## Step 1



Set Datum height at 1450mm off the floor.

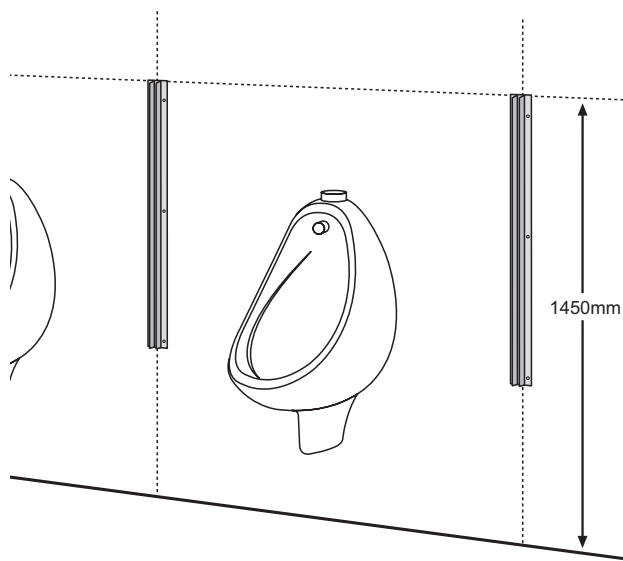
## Step 2



Measure where the Modesty screen will go and mark the centre.

Ensure screens are centered on the urinal.

## Step 3



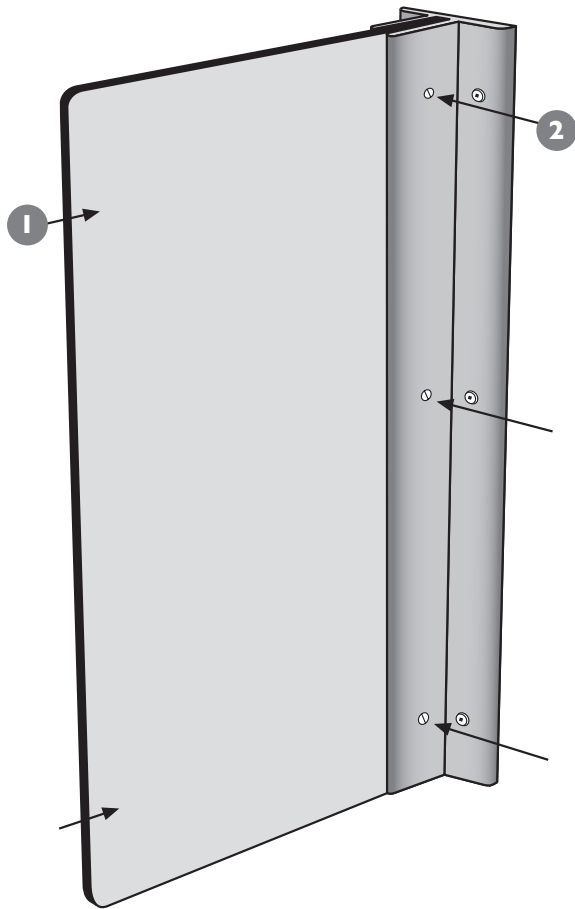
Remove protective film from bracket.

Attach stainless steel bracket by screw fixing in place using 14g x 65 screws centered on the marks with 6 screws through the outside holes.

Ensure that the screws go into the wall frame, otherwise use 'wall plugs' provided.

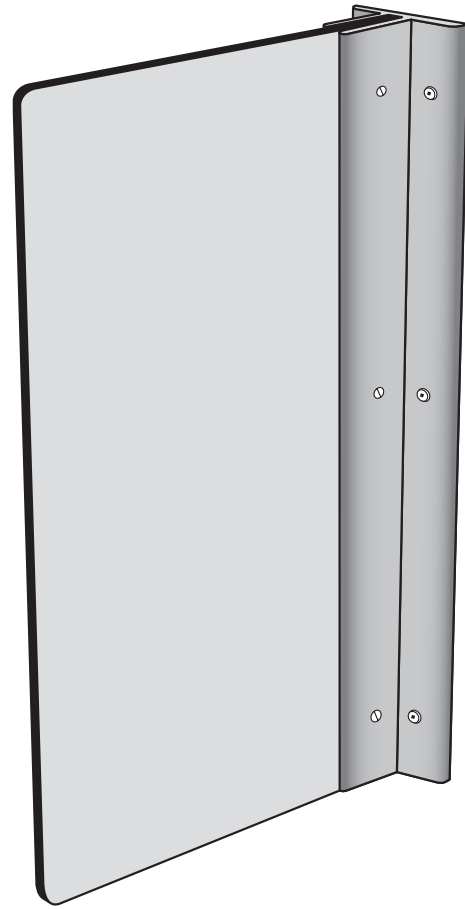
Solid fixings required.

## Step 4



- 1 / Insert the screen into place with the rounded edge at the front.
- 2 / Fix with 3 x Modesty nuts & bolts into the stainless steel bracket.

## Step 5



### Clean Panels

Clean all components, including pencil marks on the floor and walls.

Wipe down with soapy water.

Put stickers on.

Sweep floor and remove rubbish.

- For more detailed cleaning information, see our website [www.resco.co.nz/product/screens](http://www.resco.co.nz/product/screens) - Cleaning instructions
- For removal of graffiti – call our customer service team 0800 800 950

# RESOCO

Resco Limited.

12 Kahu Crescent

Te Rapa Park, Hamilton 3200. New Zealand

Phone: 0800 800 950, +64 850 1025

Fax: +64 7 850 1026

([www.resco.co.nz](http://www.resco.co.nz))

©Resco Masrch 2018

# RESOCO

5378