

Product: Modesty Screen	Product Code: M-Screen
Installation Guide Updated March 2015	

RESCO

Modesty **Screens**

Perfect for wet and high abuse areas

Step-by-step Installation Guide

March 2015

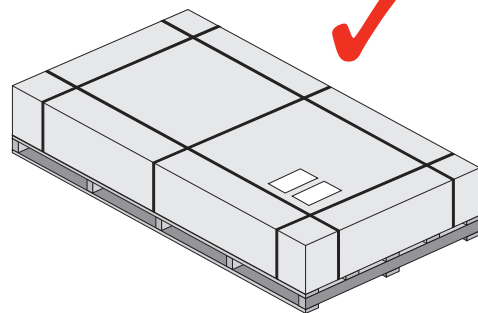
IMPORTANT

SAFE PANEL HANDLING INSTRUCTIONS

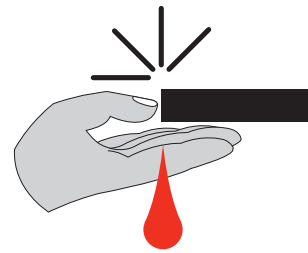


Although Compact Laminate panels are tough and durable, they must be treated with care. Panels can be damaged if not stored or handled properly during assembly.

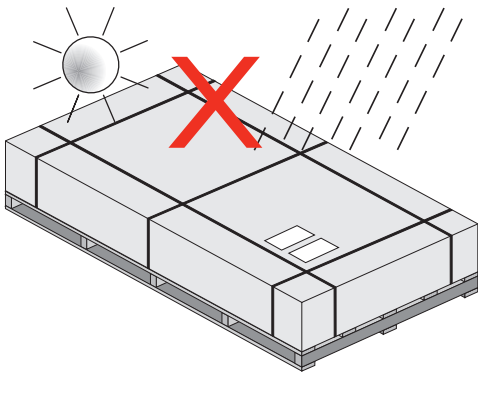
Store inside and keep in original packaging until needed.



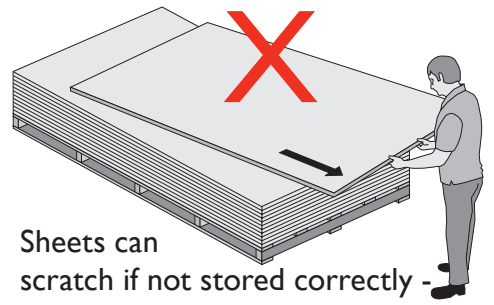
Use caution, machined edges may be razor sharp!



DO NOT store in sun or rain, or at high temperatures.

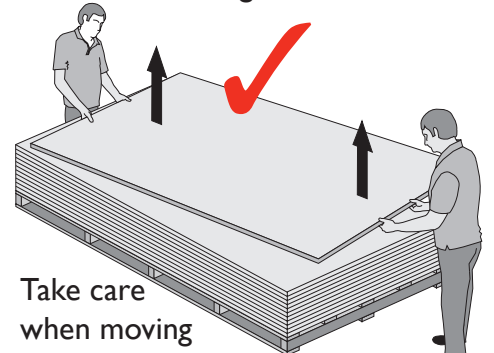


DO NOT slide panels - LIFT them!



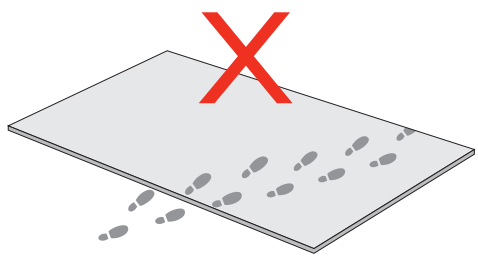
2 MAN LIFT.

Use suction lifting aids if available.



Take care when moving panels they can be damaged if not handled correctly.

DO NOT walk-over.



IMPORTANT

CLEANING & MAINTENANCE OF COMPACT LAMINATE

Compact laminate is engineered to last for many years. We provide a 10 year guarantee on panel integrity.

The non-porous surface is easy to clean. The decorative surface and resin core of Compact Laminate is impervious and resistant to most commonly used cleaning agents and disinfectants.



Recommended cleaning agents

Surfaces can be easily cleaned with a dry or damp cloth and if necessary a mild household cleaner.

- **General cleaning:** All-purpose cleaner (e.g. Ajax Spray & Wipe), household cleaners, water or soap are recommended.

It is resistant to everyday wear and tear but needs some attention for harsh conditions and staining.

- **Spray paint:** Turpentine or SPC 801
- **Permanent marker:** Methylated spirits or SPC 801

Never use any of the following on Compact Laminate:

- Do not use abrasive or polishing materials. Abrasive cleaners such as Jif Cream Cleanser, Ajax (powder or liquid), Chemco, Brasso, Mr. Muscle oven cleaner or Scrub free.
- Scourer pads, Wire wool or Sandpaper.
- High pressure water cleaning or steam cleaning of panels is not recommended.
- Neat Janola or other equivalent brands of bleaches.
- Any product containing strong mineral acid such as sulphuric acid, Battery acid, hydrochloric acid, nitric acid or phosphoric acid. Commercial toilet cleaners, grout removers, descalants, rust removers, etc.
- Care must be taken where cleaning agents or solvents are highly acidic or alkaline as these may permanently damage the surface.

Other Tips:

- The use of CRC or equivalent on hinges and indicator bolts is recommended at least once every 3 months (sooner for challenging environments).
- An occasional re-finish of the exposed edges with an “off the shelf” wood-polish will rejuvenate the original polished seen edges.
- Any chemicals should be washed off so that they don’t keep working on the panels.

See our Web site:

www.resco.co.nz/product/multicom - Cleaning instructions

For removal of graffiti – Please call our customer service team **0800 800 950**

Step-by-step Installation Guide

Follow the installation instructions and reference numbered steps on the illustrations.

Resco's privacy screens are perfect for high use and wet areas. The Compact Laminate panels provide extended product life, and the screen colour can be matched to, or contrasted with, the colour of the partitioning system or wall panels.

Features:

- Smooth screen surface area for easy cleaning.
- Available in many colours.
- CNC machined half-round edging.
- Very low maintenance cost.

Handling of Compact Laminate

Although sheets are tough and durable they must be treated with care.

- Sheets can scratch if not stored properly. Ensure you cover sheets so that dust or debris doesn't get between panels – this can cause panels to scratch.

Being double sided, scratched or chipped sheets can be used on the reverse.

- Panels can chip if they are not handled properly. Ensure that you move them as little as possible. If you lean them against the wall – place clean cardboard underneath, and against the wall.
- Don't walk over pallets or store anything on top. Ensure they are stored free of debris and out of the way.

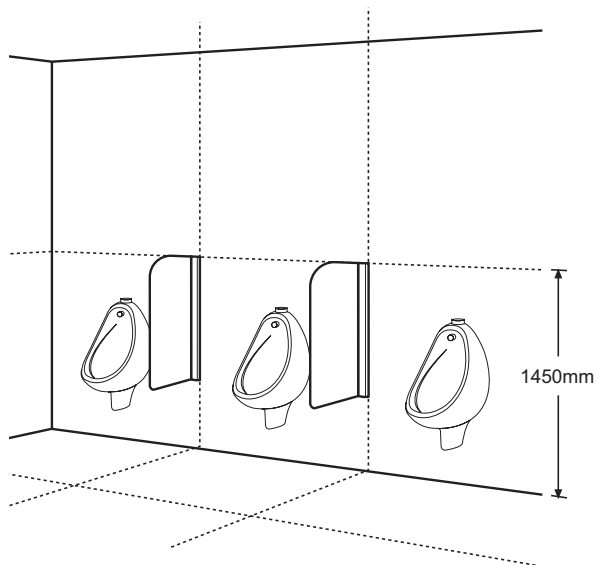
IMPORTANT NOTES

- When screwing into Compact Laminate you must pre-drill.
- Use low setting on your drills when screw fixing into Compact Laminate. Compact Laminate can break screws or damage the head if your drill is too powerful.
- Don't use hammer drills when installing into Compact Laminate.
- Compact Laminate and Aluminium can damage if not stored or treated properly – take care when you are moving components.
- Use Diamond tip drill bits for drilling into tiles.

Tools needed

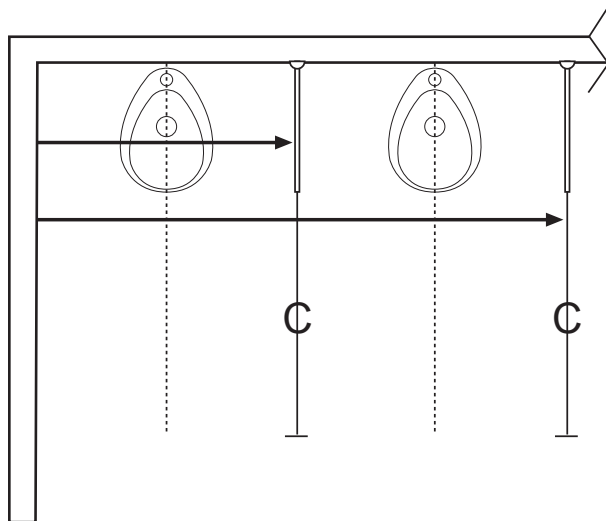
Level
String line
Chalk line
Stool or small step ladder
Timber blocks (155 mm)
Timber wedges
Rivet tool
3.5 mm drill bit
5 mm Masonry bit
No. 1 Square drive
No. 2 Pozi-drive
Drop saw
Nylon hammer
Circular saw

Step 1



Set Datum height at 1450mm off the floor.

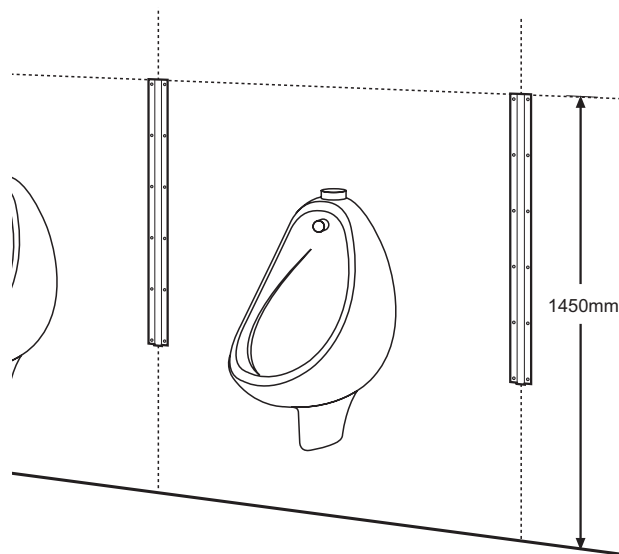
Step 2



Measure where the Modesty screen will go and mark the centre.

Ensure screens are centered on the urinal

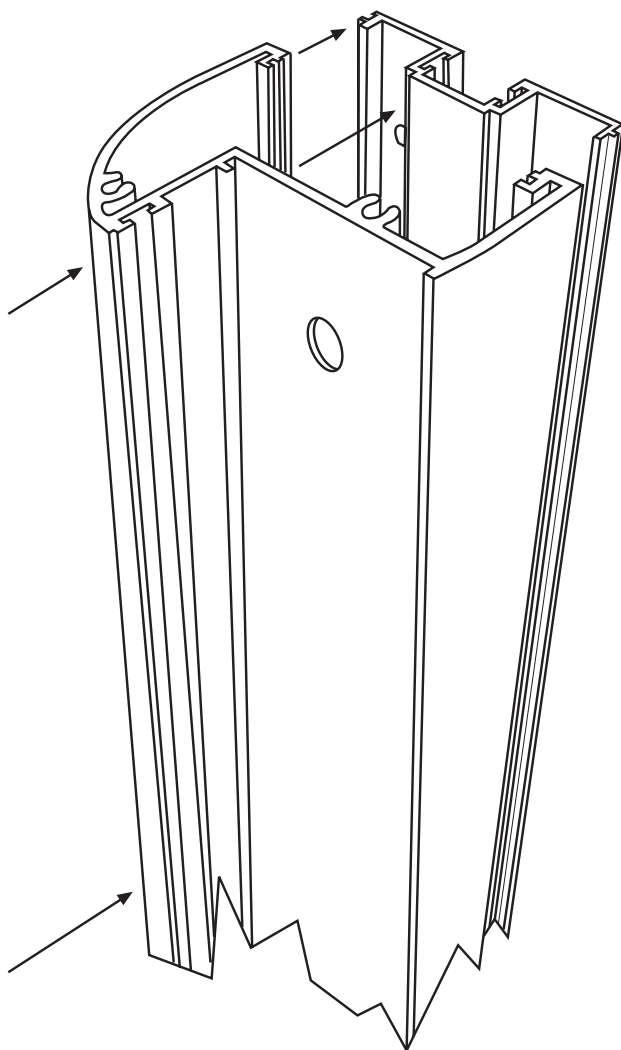
Step 3



Attach wall bracket by screw fixing in place using 1/4" screws centered on the marks with 6 screws through the outside holes.

Ensure that the screws go into the wall frame, otherwise use 'wall plugs' provided.

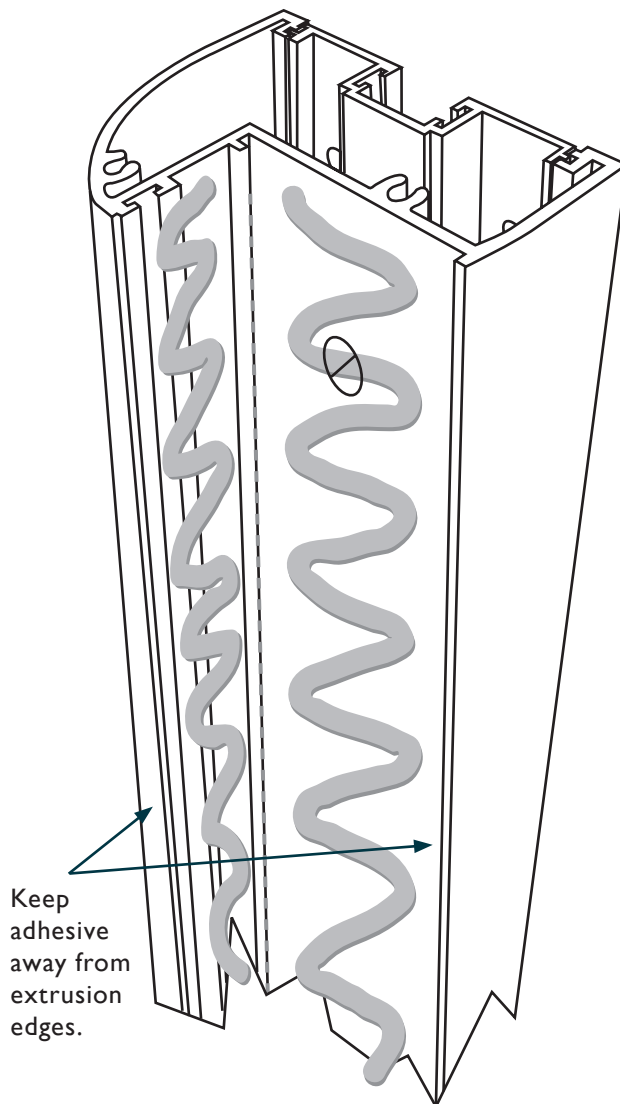
Step 4



Clip ½ Stile to bracket and fix through holes with 3 x 2" screws.

Ensure that they go through the bracket and into the wall frame or wall plugs.

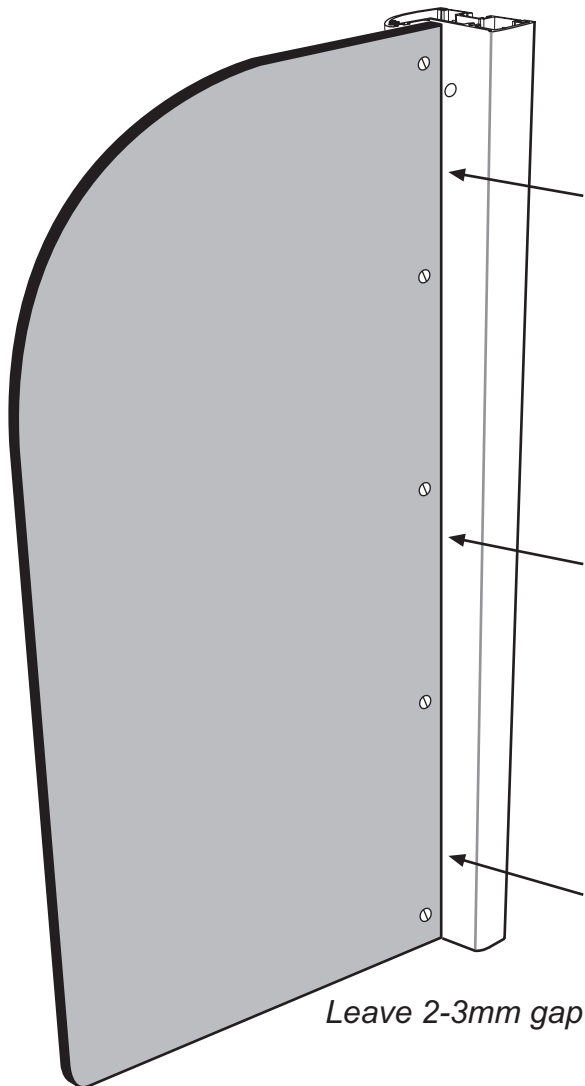
Step 5



Keep adhesive away from extrusion edges.

Place MS Polymer adhesive along the ½ Stile back and the side as shown.

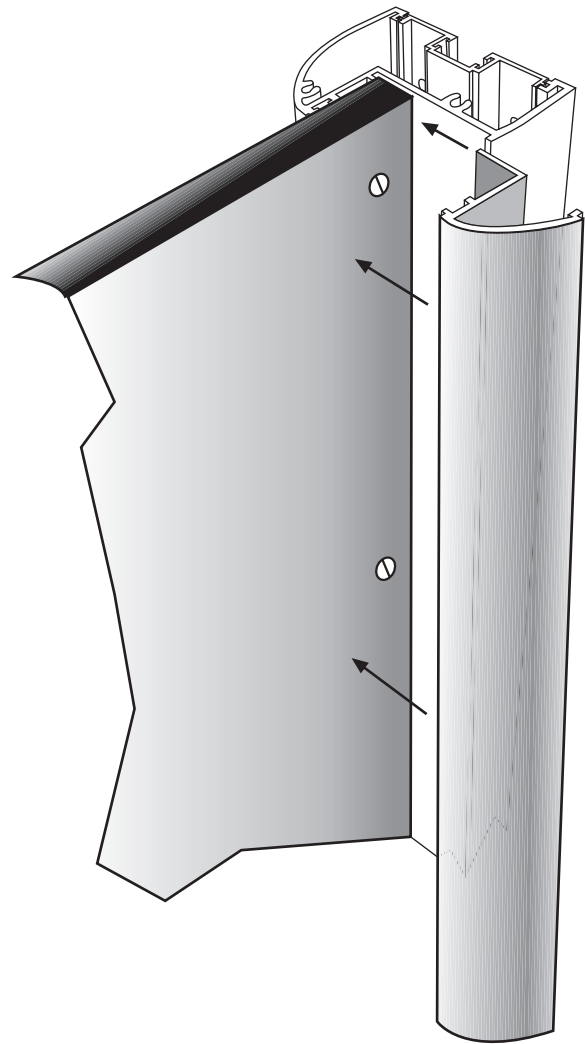
Step 6



Insert screen in place with rounded edge at top and screw fix using 1/4" countersunk screws.

Ensure that you leave a gap of 2-3mm behind the screen for the aluminium bead to slot in to.

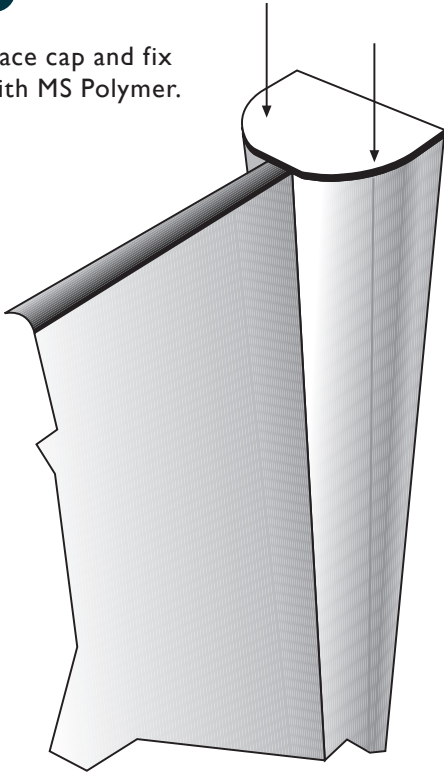
Step 7



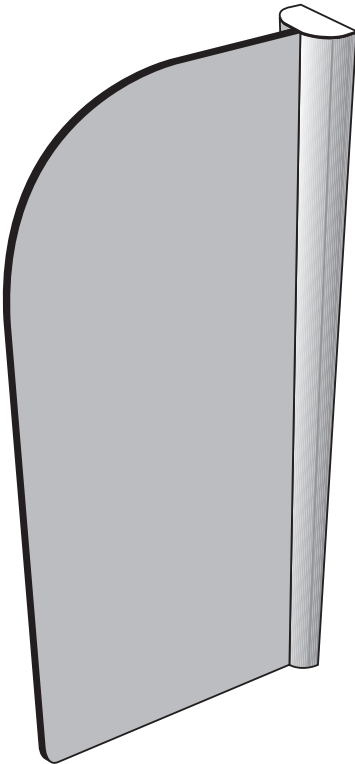
Quickly, before the Polymer dries, clip the corner bead in place.
(use additional polymer as required).

Step 8

Place cap and fix with MS Polymer.



Step 9



Clean Panels

Clean all components, including pencil marks on the floor and walls.

Wipe down with soapy water.

Put stickers on.

Sweep floor and remove rubbish.

- For more detailed cleaning information, see our website www.resco.co.nz/product/screens - Cleaning instructions
- For removal of graffiti – call our customer service team 0800 800 950

RESOCO

Resco Limited.

12 Kahu Crescent, Te Rapa Park
Hamilton 3200. New Zealand.

Phone: 0800 800 950, +64 7 850 1025

Fax: +64 7 850 1026

Email: info@resco.co.nz

(www.resco.co.nz)

©Resco March 2015