

Product: Resco Screens	Product Code: FS-I
Installation Guide Full Screens. Updated April 2015	

RESCO

Full Screens

Perfect for wet and high abuse areas

Suitable for use across the Resco range of systems.

Step-by-step Installation Guide

April 2015

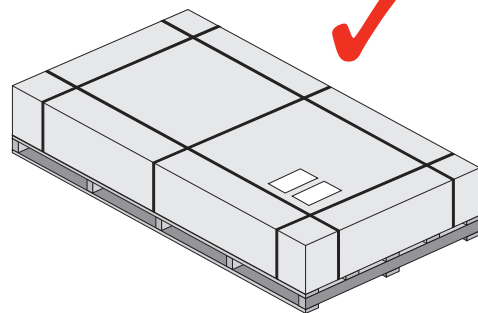
IMPORTANT

SAFE PANEL HANDLING INSTRUCTIONS

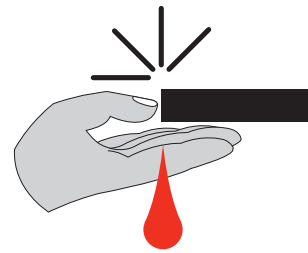


Although Compact Laminate panels are tough and durable, they must be treated with care. Panels can be damaged if not stored or handled properly during assembly.

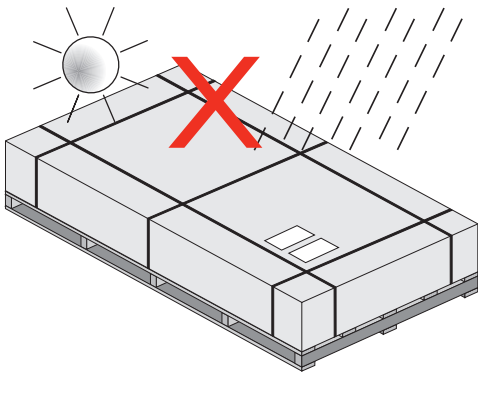
Store inside and keep in original packaging until needed.



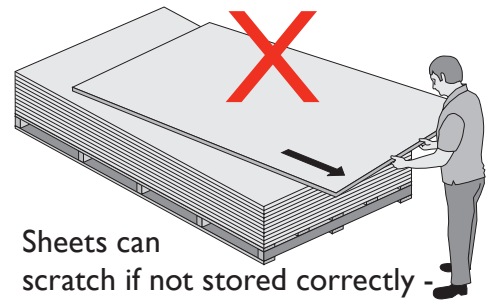
Use caution, machined edges may be razor sharp!



DO NOT store in sun or rain, or at high temperatures.

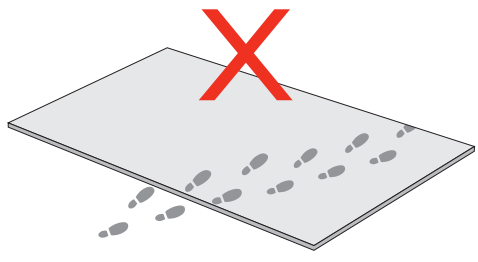


DO NOT slide panels - LIFT them!



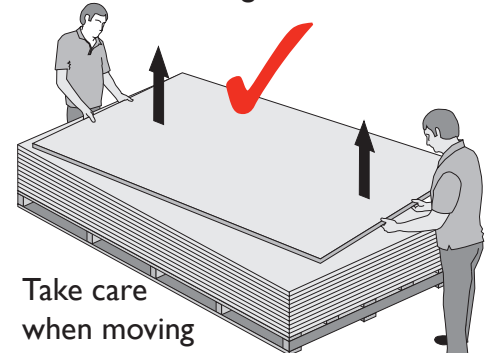
Sheets can scratch if not stored correctly - ensure free of dust and debris.

DO NOT walk-over.



2 MAN LIFT.

Use suction lifting aids if available.



Take care when moving panels they can be damaged if not handled correctly.

IMPORTANT

CLEANING & MAINTENANCE OF COMPACT LAMINATE

Compact laminate is engineered to last for many years. We provide a 10 year guarantee on panel integrity.

The non-porous surface is easy to clean. The decorative surface and resin core of Compact Laminate is impervious and resistant to most commonly used cleaning agents and disinfectants.



Recommended cleaning agents

Surfaces can be easily cleaned with a dry or damp cloth and if necessary a mild household cleaner.

- **General cleaning:** All-purpose cleaner (e.g. Ajax Spray & Wipe), household cleaners, water or soap are recommended.

It is resistant to everyday wear and tear but needs some attention for harsh conditions and staining.

- **Spray paint:** Turpentine or SPC 80I
- **Permanent marker:** Methylated spirits or SPC 80I

Never use any of the following on Compact Laminate:

- Do not use abrasive or polishing materials. Abrasive cleaners such as Jif Cream Cleanser, Ajax (powder or liquid), Chemco, Brasso, Mr. Muscle oven cleaner or Scrub free.
- Scourer pads, Wire wool or Sandpaper.
- High pressure water cleaning or steam cleaning of panels is not recommended.
- Neat Janola or other equivalent brands of bleaches.
- Any product containing strong mineral acid such as sulphuric acid, Battery acid, hydrochloric acid, nitric acid or phosphoric acid. Commercial toilet cleaners, grout removers, descalants, rust removers, etc.
- Care must be taken where cleaning agents or solvents are highly acidic or alkaline as these may permanently damage the surface.

Other Tips:

- The use of CRC or equivalent on hinges and indicator bolts is recommended at least once every 3 months (sooner for challenging environments).
- An occasional re-finish of the exposed edges with an “off the shelf” wood-polish will rejuvenate the original polished seen edges.
- Any chemicals should be washed off so that they don’t keep working on the panels.

See our Web site:

www.resco.co.nz/product/multicom - Cleaning instructions

For removal of graffiti – Please call our customer service team **0800 800 950**

Step-by-step Installation Guide

Follow the installation instructions and reference numbered steps on the illustrations.

IMPORTANT NOTES

- When screwing into compact you must pre-drill.
- Use low setting on your drills when screw fixing into Compact Laminate. Compact Laminate can break screws or damage the head if your drill is too powerful.
- Don't use hammer drills when installing into Compact Laminate.
- Compact Laminate and Aluminium can damage if not stored or treated properly – take care when you are moving sheets. Larger sheets require 2-man lift.
- The system will be packed so division panels are at the top and the doors are at the bottom.
- Use Diamond tip drill bits for drilling into tiles.
- Oversize Fascias – rivet infill in the middle (of the 2 other rivets on the other side) of the pedestal at the opposite side to ensure that the infill can't be moved.

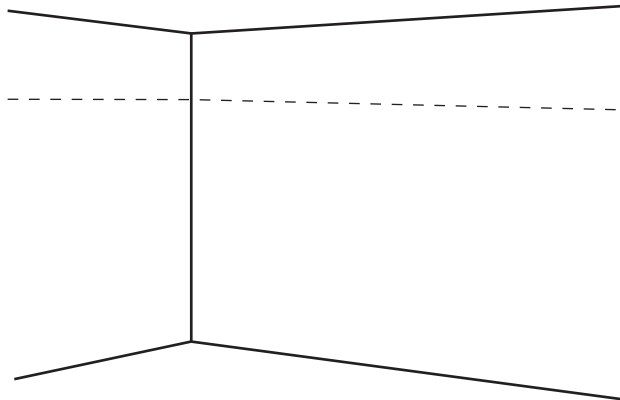
Sit in place and ensure that all the doors are perfect before final rivet. Therefore you can adjust. Ensure plumb both ways.

Tools needed

Level
String line
Chalk line
Stool or small step ladder
Timber blocks (155 mm)
Timber wedges
Rivet tool
3.5 mm drill bit
5 mm Masonry bit
No. 1 Square drive
No. 2 Pozi-drive
Drop saw
Nylon hammer
Circular saw

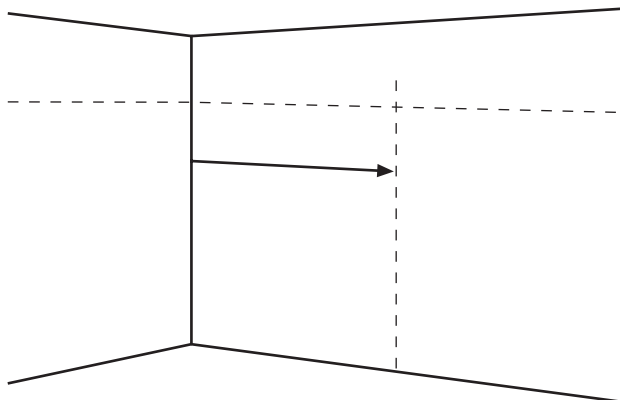
Step 1

From the plans mark Datum on relevant walls.
 Note: on our proprietary system the Datum is normally 1960mm.



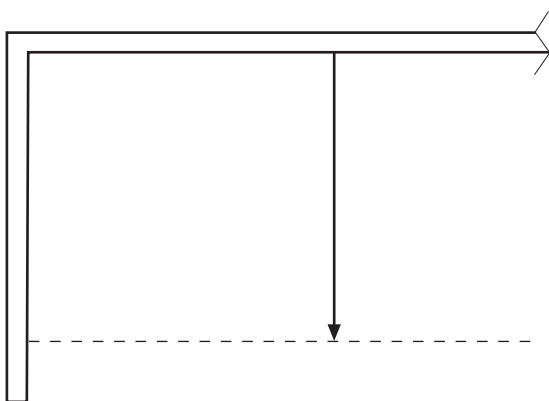
Step 2

From the plans mark the screen center on the back wall.



Step 3

From the plans mark the distance from the back wall to the front of the screen.

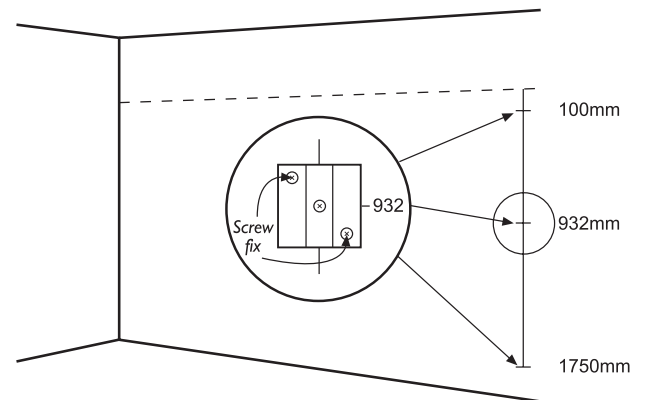


Step 4

Fix '1/2 Stile' brackets at marks.
 Plumb down from the Datum line and mark 100mm, 932mm, 1750mm.

- Hold the center-hole of 1/2 Stile bracket at each mark. There are 3 brackets per Stile.
- Ensure bracket is level, then screw in the outside holes (angled back into the stud), leaving the center hole free.

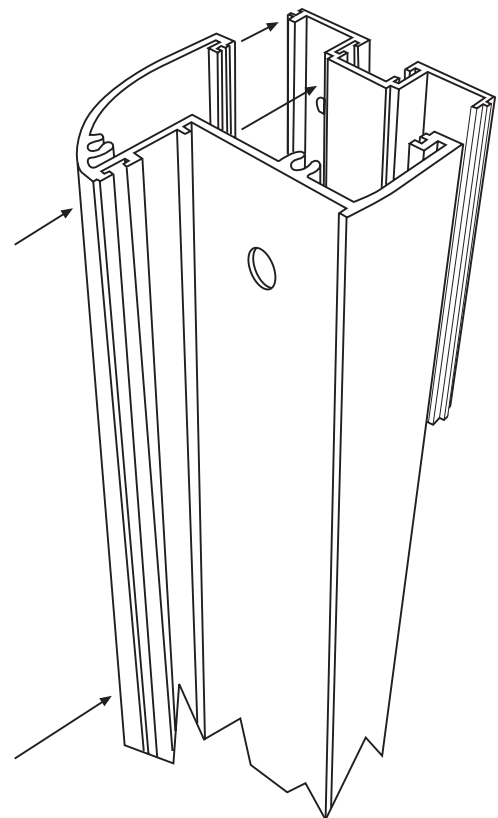
Use (A) 8GA x 32 screws.



Step 5

- Clip the 1/2 Stile on to the brackets with the top flush with the Datum-line.
- Fix 1/2 Stile in place by screw fixing through the center holes of the 1/2 stile bracket.

Use (C) 8GA x 50 screws.



FullScreens

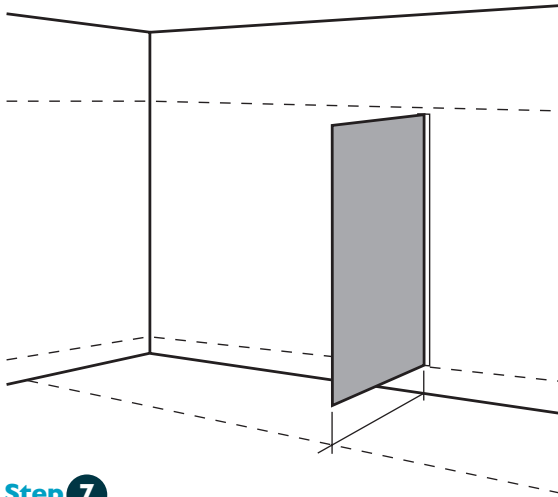
PERFECT FOR WET AND HIGH ABUSE AREAS

Step 6

From the plans mark the floor mount centers on the chalk line.

Place the screen on blocks, flush with the bottom of the 1/2 Stile and make them level (wedges will be required).

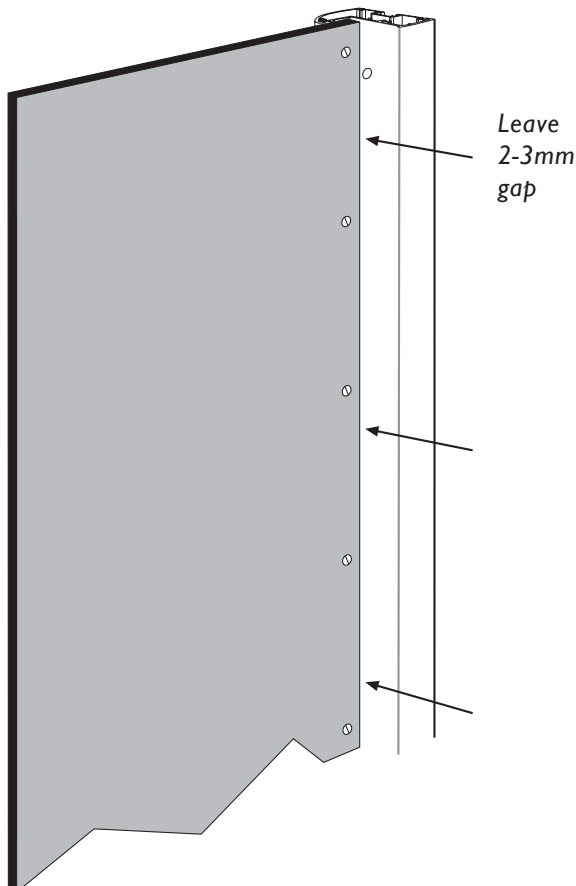
Adjust screen panel so it is -15mm from the front chalk line.



Step 7

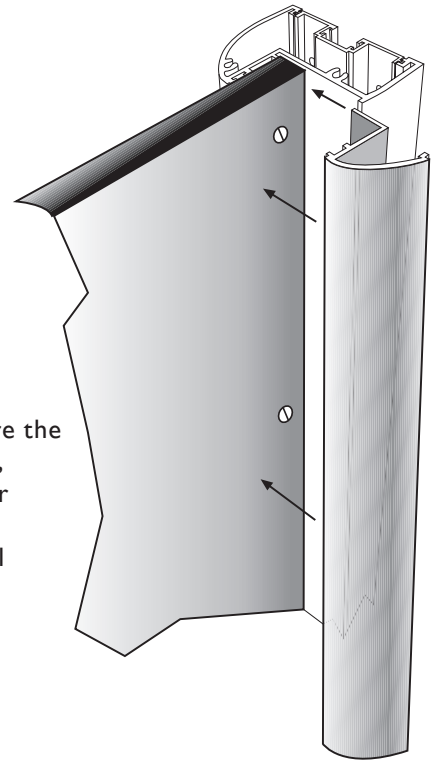
When aligned and level with the top of the 1/2 stile screw fix in place, ensuring you leave a 2-3mm gap for the Aluminium bead to slot in.

Use (i) 10GA x 25 screws.



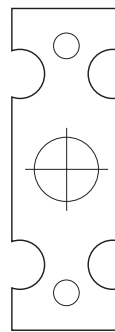
Step 8

Use polymer to secure the corner bead and clip in place.



Quickly, before the Polymer dries, clip the corner bead in place. (use additional polymer as required).

Step 9



Center the floor mount on the mark and Drill 2 side holes to fix in place

Use 5mm masonry drill bit in concrete floor and 3.5mm drill bit in wood floor or a diamond drill bit for Tiles.

Place (F) plastic anchor in hole. Secure floor mount, using (A) 8GA x 32 screws.

Step 10

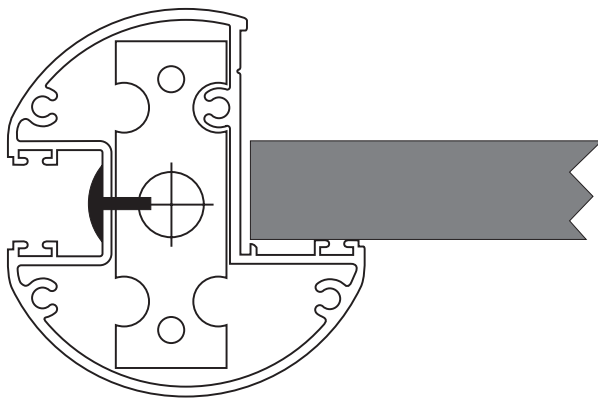
Measure the full stile length and trim to suit. Ensure you trim the bottom end (The top has an angle bracket)

Place the Full Stile over the floor mount. And fix it at the bottom with a rivet through the stile into the floor mount.

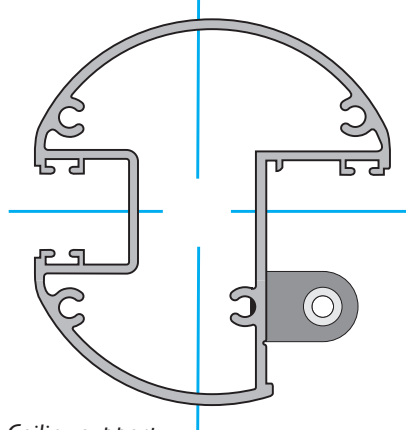
Use 3.5mm drill bit with (D) Stainless Steel Pop Rivets.

Level and then screw fix the top through the angle bracket

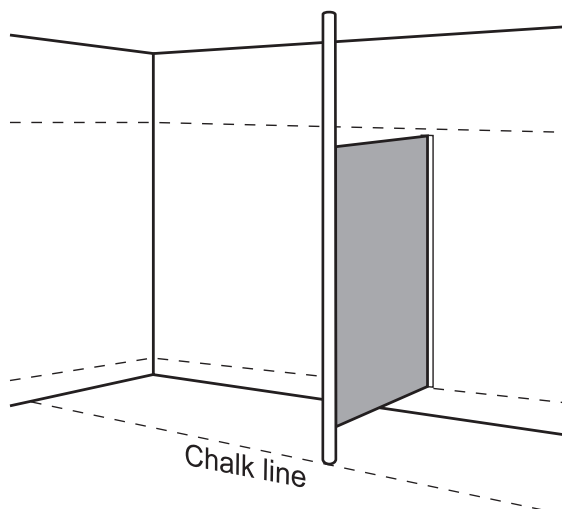
Place (F) plastic anchor in hole. Secure using (A)8GA x 32 screws.



Floor mount



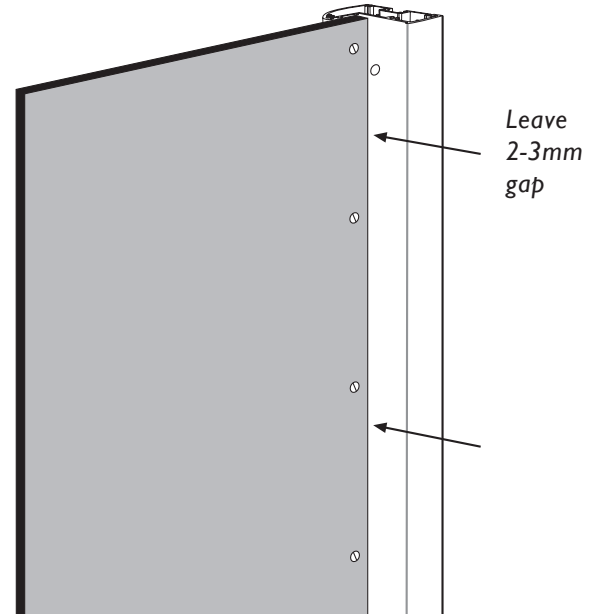
Ceiling support



Step 11

Screw fix the panel in place to the full stile, ensuring you leave a 2-3mm gap for the Aluminium bead to slot in.

Use (i) 10GA x 25 screws.



Step 12

Trim the corner Bead and infill accordingly and use polymer to secure the corner bead and clip that and the infill in place.

Step 13

Clean Panels

Clean all components, including pencil marks on the floor and walls.

Sweep floor and remove rubbish.

Wipe down with soapy water.

RESCO

Resco Limited.
12 Kahu Crescent
Te Rapa Park, Hamilton 3200. New Zealand
Phone: 0800 800 950, +64 850 1025
Fax: +64 7 850 1026
(www.resco.co.nz)

©Resco April 2015