

Product: Resco Full Screens	Product Code: FS-I
Installation Guide Full Screens. Updated March 2018	

RESCO

Full Screens

Perfect for wet and high abuse areas

Suitable for use across the Resco range of systems.

Step-by-step Installation Guide

March 2018

IMPORTANT

SAFE PANEL HANDLING INSTRUCTIONS



Although Compact Laminate panels are tough and durable, they must be treated with care. Panels can be damaged if not stored or handled properly during assembly.

STORE INSIDE and keep in original packaging until needed.

USE CAUTION, machined edges may be razor sharp!

DO NOT store in sun or rain, or at high temperatures.

DO NOT slide panels - LIFT them!

Sheets can scratch if not stored correctly - ensure free of dust and debris.

DO NOT walk-over.

2 MAN LIFT. Use suction lifting aids if available.

Take care when moving panels they can be damaged if not handled correctly.

PERSONAL PROTECTION.

Eye: Dust resistant safety glasses should be worn when machining.

Skin: Protective gloves should be worn.

Respiratory: A class P1 or P2 replaceable filter or disposable half face piece particulates respirator should be worn when machining.

Flammability: Keep all storage and work areas well ventilated to avoid a buildup of dust that could ignite.

FIRST AID MEASURES.

Eye: Flush with flowing water for at least 15 minutes, and if symptoms persist seek medical attention.

Skin: Wash with mild soap and running water. Seek medical attention if symptoms persist. For cuts, clean wound and apply antiseptic dressing.

Inhaled: Leave the dusty area.



IMPORTANT

CLEANING & MAINTENANCE OF COMPACT LAMINATE

Compact laminate is engineered to last for many years. We provide a 10 year guarantee on panel integrity.

The non-porous surface is easy to clean. The decorative surface and resin core of Compact Laminate is impervious and resistant to most commonly used cleaning agents and disinfectants.



Recommended cleaning agents

Surfaces can be easily cleaned with a dry or damp cloth and if necessary a mild household cleaner.

- **General cleaning:** All-purpose cleaner (e.g. Ajax Spray & Wipe), household cleaners, water or soap are recommended.
It is resistant to everyday wear and tear but needs some attention for harsh conditions and staining.
- **Surfaces and edges:** Are easy to disinfect with hot water, steam and all common types of disinfectant used in hospitals and professional applications.
- **Spray paint:** Turpentine or SPC 801.
- **Permanent marker:** Methylated spirits or SPC 801.

Never use any of the following on the panels, aluminium or hardware:

- Do not use abrasive or polishing materials. Abrasive cleaners such as Jif Cream Cleanser, Ajax (powder or liquid), Chemco, Brasso, Mr. Muscle oven cleaner or Scrub free.
- Scourer pads, Wire wool or Sandpaper.
- High pressure water cleaning or steam cleaning of panels is not recommended.
- Neat Janola or other equivalent brands of bleaches.
- Any product containing strong mineral acid such as sulphuric acid, Battery acid, hydrochloric acid, nitric acid or phosphoric acid. Commercial toilet cleaners, grout removers, descalants, rust removers, bleach, etc.
- Care must be taken where cleaning agents or solvents are highly acidic or alkaline as these may permanently damage the surface.

Ongoing Maintenance:

- The use of CRC or equivalent on hinges and indicator bolts is recommended at least once every 3 months (sooner for challenging environments).
- An occasional re-finish of the exposed edges with an “off the shelf” wood-polish will rejuvenate the original polished seen edges.
- Any chemicals should be washed off so that they don't keep working.
- Finger prints and other such surface marks can be neutralised with a silicone spray and a micro-fibre cloth.

See our Web site:

www.resco.co.nz/product/multicom - Cleaning instructions

For removal of graffiti – Please call our customer service team **0800 800 950**

Step-by-step Installation Guide

Follow the installation instructions and reference numbered steps on the illustrations.

IMPORTANT NOTES

- When screwing into compact you must pre-drill.
- Use low setting on your drills when screw fixing into Compact Laminate. Compact Laminate can break screws or damage the head if your drill is too powerful.
- Don't use hammer drills when installing into Compact Laminate.
- Compact Laminate and Aluminium can damage if not stored or treated properly – take care when you are moving sheets. Larger sheets require 2-man lift.
- The system will be packed so division panels are at the top and the doors are at the bottom.
- Use Diamond tip drill bits for drilling into tiles.
- Oversize Fascias – rivet infill in the middle (of the 2 other rivets on the other side) of the pedestal at the opposite side to ensure that the infill can't be moved.

Sit in place and ensure that all the doors are perfect before final rivet. Therefore you can adjust. Ensure plumb both ways.

Tools needed

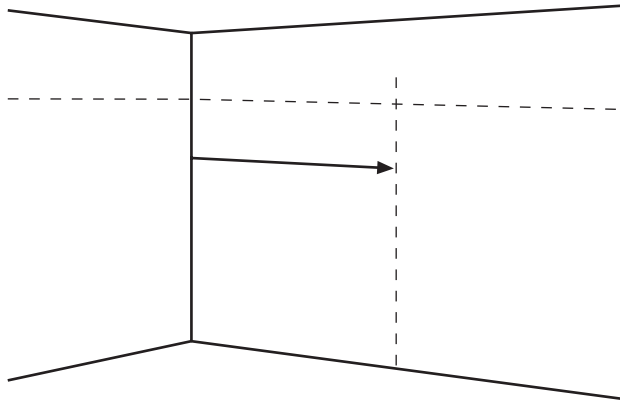
- Level
- String line
- Chalk line
- Stool or small step ladder
- Timber blocks (155 mm)
- Timber wedges
- Rivet tool
- 3.5 mm drill bit
- 5 mm Masonry bit
- No. 1 Square drive
- No. 2 Pozi-drive
- Drop saw
- Nylon hammer
- Circular saw

Step 1

From the plans mark Datum on relevant walls.

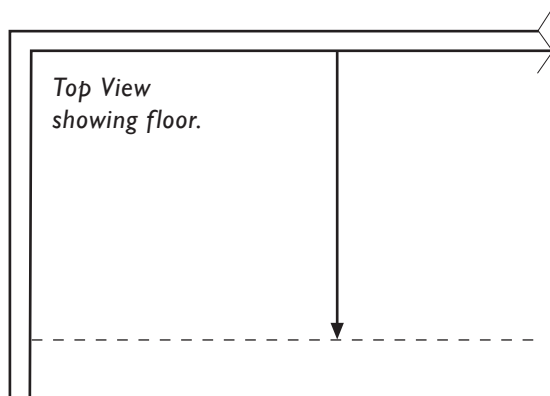
Note: on our proprietary system the Datum is normally 1960mm.

From the plans mark the screen centre on the back wall.



Step 2

From the plans mark the distance from the back wall to the front of the screen.



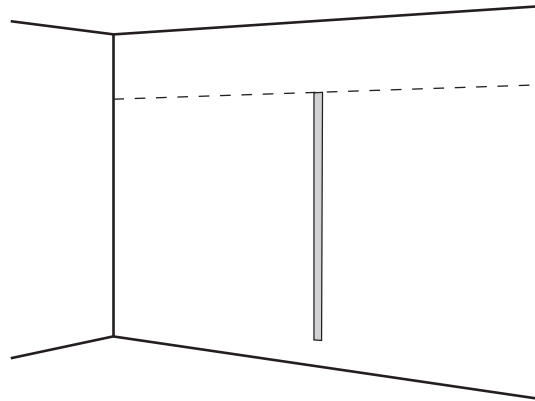
Step 3

Fix U-channel centred on your marks.

The U-channels are pre-drilled.

Ensure screws go into the wall frame.

Use (A) 8GA x 32 screws (with (F) plastic anchor if required).



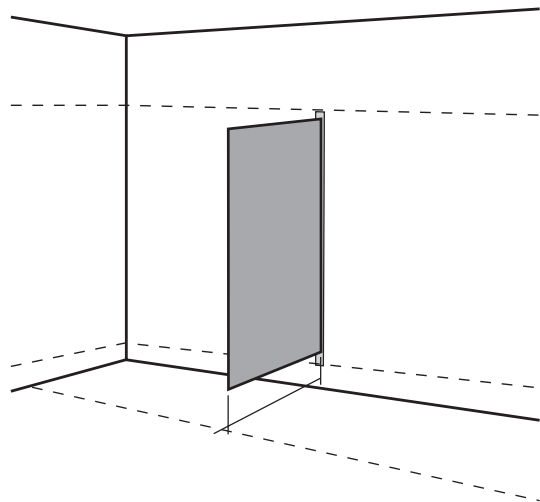
Step 4

Slide screen panel into the U-channel.

Place the panel on blocks flush with the bottom of the U-channel (wedges will be required).

Ensure that the front of the panel lines up with the front marks and it is level.

Rivet fix the panel in place.

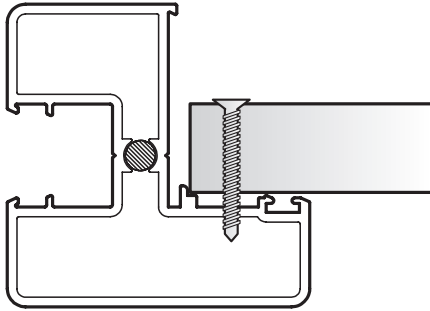


Step 5

Measure the Full Stile length and trim to suit the room height.

Screw and fix the panel to the Full Stile.

Use (AB) 8 x 25 self drilling screws.



Step 6

Attach angle brackets to the top and bottom of the Full Stile as shown.

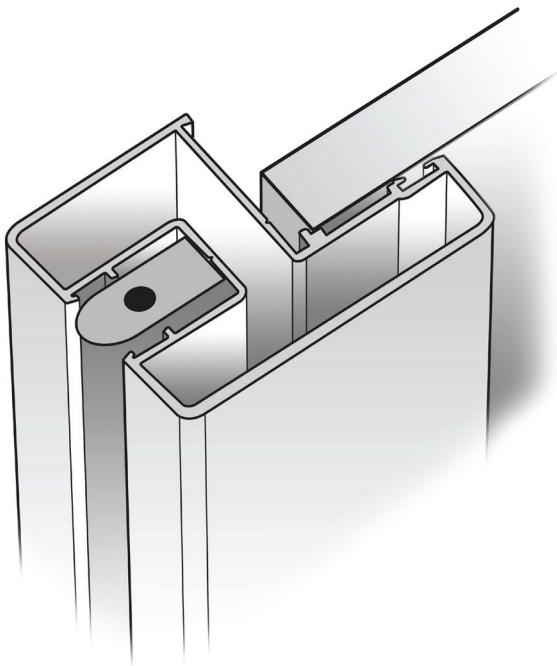
Drill a 3.5mm hole.

Use (B) 8 x 12 countersunk screws to fit and attach angle to Full Stile.

Check Full Stile is plumb.

Screw fix angle to ceiling and floor using (C) 8 x 50 screws.

Place (F) Plastic Anchor in the hole if required.



Step 7

Trim the corner Bead and infill and clip them in place.

You will need to trim the back of the infill at the top and bottom to allow for clearance of the bracket.

Trim and clip infills above and below the panel on the Full Stile.

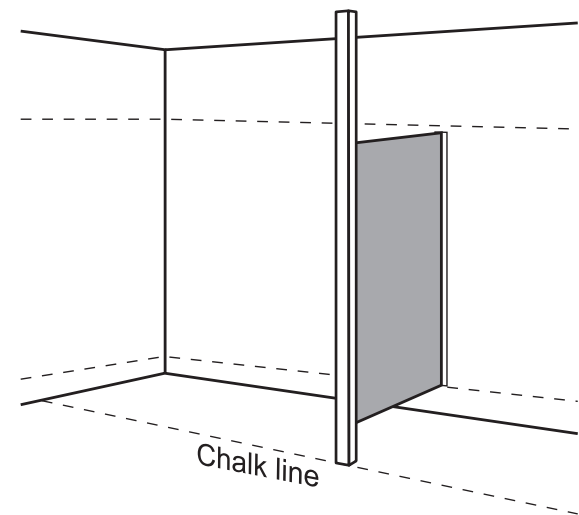
Step 8

Clean Panels

Clean all components, including pencil marks on the floor and walls.

Sweep floor and remove rubbish.

Wipe down with soapy water.



RESOCO

Resco Limited.

12 Kahu Crescent

Te Rapa Park, Hamilton 3200. New Zealand

Phone: 0800 800 950, +64 850 1025

Fax: +64 7 850 1026

(www.resco.co.nz)

©Resco February 2018

RESOCO

5366