

Product: Kindy Cube	Product Code: KC
Installation Guide Wall to wall version. January 2018	

# RESCO

## *Kindy* **Cube**

*Child friendly cubicle systems*

# Step-by-step Installation Guide

JANUARY 2018

**IMPORTANT**

# SAFE PANEL HANDLING INSTRUCTIONS



Although Compact Laminate panels are tough and durable, they must be treated with care. Panels can be damaged if not stored or handled properly during assembly.

**STORE INSIDE** and keep in original packaging until needed.

**USE CAUTION,** machined edges may be razor sharp!

**DO NOT** store in sun or rain, or at high temperatures.

**DO NOT** slide panels - LIFT them!

Sheets can scratch if not stored correctly - ensure free of dust and debris.

**DO NOT** walk-over.

**2 MAN LIFT.** Use suction lifting aids if available.

Take care when moving panels they can be damaged if not handled correctly.

**PERSONAL PROTECTION.**

**Eye:** Dust resistant safety glasses should be worn when machining.

**Skin:** Protective gloves should be worn.

**Respiratory:** A class P1 or P2 replaceable filter or disposable half face piece particulates respirator should be worn when machining.

**Flammability:** Keep all storage and work areas well ventilated to avoid a buildup of dust that could ignite.

**FIRST AID MEASURES.**

**Eye:** Flush with flowing water for at least 15 minutes, and if symptoms persist seek medical attention.

**Skin:** Wash with mild soap and running water. Seek medical attention if symptoms persist. For cuts, clean wound and apply antiseptic dressing.

**Inhaled:** Leave the dusty area.



# IMPORTANT

## CLEANING & MAINTENANCE OF COMPACT LAMINATE

Compact laminate is engineered to last for many years. We provide a 10 year guarantee on panel integrity.

The non-porous surface is easy to clean. The decorative surface and resin core of Compact Laminate is impervious and resistant to most commonly used cleaning agents and disinfectants.



### Recommended cleaning agents

Surfaces can be easily cleaned with a dry or damp cloth and if necessary a mild household cleaner.

- **General cleaning:** All-purpose cleaner (e.g. Ajax Spray & Wipe), household cleaners, water or soap are recommended.  
It is resistant to everyday wear and tear but needs some attention for harsh conditions and staining.
- **Surfaces and edges:** Are easy to disinfect with hot water, steam and all common types of disinfectant used in hospitals and professional applications.
- **Spray paint:** Turpentine or SPC 801.
- **Permanent marker:** Methylated spirits or SPC 801.

### Never use any of the following on the panels, aluminium or hardware:

- Do not use abrasive or polishing materials. Abrasive cleaners such as Jif Cream Cleanser, Ajax (powder or liquid), Chemco, Brasso, Mr. Muscle oven cleaner or Scrub free.
- Scourer pads, Wire wool or Sandpaper.
- High pressure water cleaning or steam cleaning of panels is not recommended.
- Neat Janola or other equivalent brands of bleaches.
- Any product containing strong mineral acid such as sulphuric acid, Battery acid, hydrochloric acid, nitric acid or phosphoric acid. Commercial toilet cleaners, grout removers, descalants, rust removers, bleach, etc.
- Care must be taken where cleaning agents or solvents are highly acidic or alkaline as these may permanently damage the surface.

### Ongoing Maintenance:

- The use of CRC or equivalent on hinges and indicator bolts is recommended at least once every 3 months (sooner for challenging environments).
- An occasional re-finish of the exposed edges with an “off the shelf” wood-polish will rejuvenate the original polished seen edges.
- Any chemicals should be washed off so that they don't keep working.
- Finger prints and other such surface marks can be neutralised with a silicone spray and a micro-fibre cloth.

See our Web site:

[www.resco.co.nz/product/multicom](http://www.resco.co.nz/product/multicom) - Cleaning instructions

For removal of graffiti – Please call our customer service team **0800 800 950**

## Step-by-step Installation Guide

Follow the installation instructions and reference numbered steps on the illustrations.

### KindyCube®

Resco's KINDYCUBE® is perfect for the age group, and is designed to resist the rough and tumble of pre-school kids.

Well thought out dimensions allow for a child's privacy under adult supervision, with self-closing doors that close without locking.

Minimal dirt traps ensures Cubicles are easy clean.

## IMPORTANT NOTES

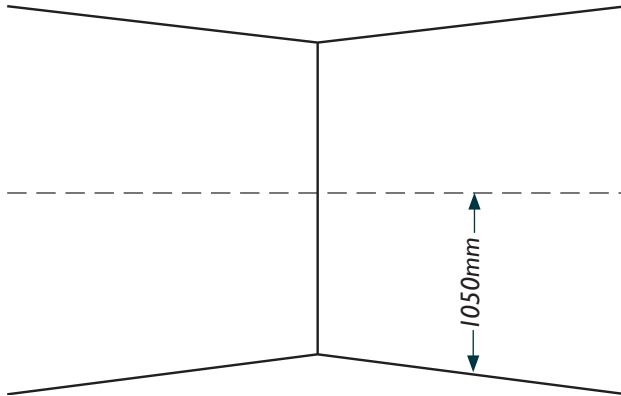
- When screwing into compact you must pre-drill.
- Use low setting on your drills when screw fixing into Compact Laminate. Compact Laminate can break screws or damage the head if your drill is too powerful.
- Don't use hammer drills when installing into Compact Laminate.
- Compact Laminate and Aluminium can damage if not stored or treated properly – take care when you are moving sheets. Larger sheets require 2-man lift.
- Use Diamond tip drill bits for drilling into tiles.

### Tools needed

- Level
- String line
- Chalk line
- Stool or small step ladder
- Timber blocks (155 mm)
- Timber wedges
- Rivet tool
- 3.5 mm drill bit
- 5 mm Masonry bit
- No. 1 Square drive
- No. 2 Pozi-drive
- Drop saw
- Nylon hammer
- Circular saw

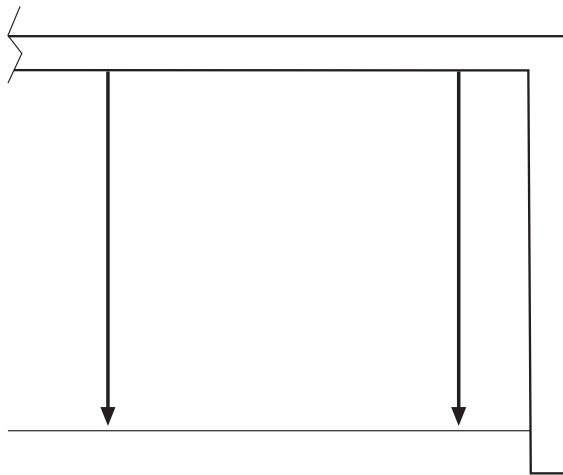
## Step 1

Mark out Datum line at 1050mm (this is where the top of the U-Channel will sit).



## Step 2

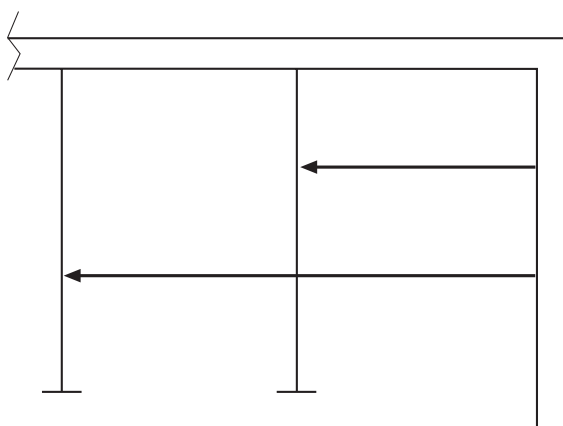
From the plans, mark the location of the front of the Cubicles.



## Step 3

From the plans, mark the division centres on the back wall.

Check location of toilets and ensure centred (these are sometimes fitted different to the plans).

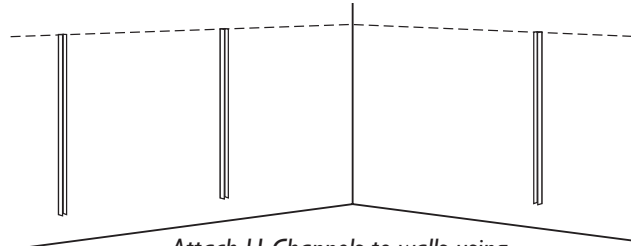


## Step 4

Fix U-Channels to back and side walls at Datum line.

**Use (A) 8GA x 32 screws (with (F) plastic anchor if required) making sure you get adequate fixing.**

Note: If wall-to-wall Cubicles fix the other side Fascia to the wall.



Attach U-Channels to walls using (A) 8GA x 32 screws (5 screws on each).

## Step 5

Set up Fascias and Divisions before fixing to wall.

Attach Division Panel to the back of the Fascia using the brackets supplied.

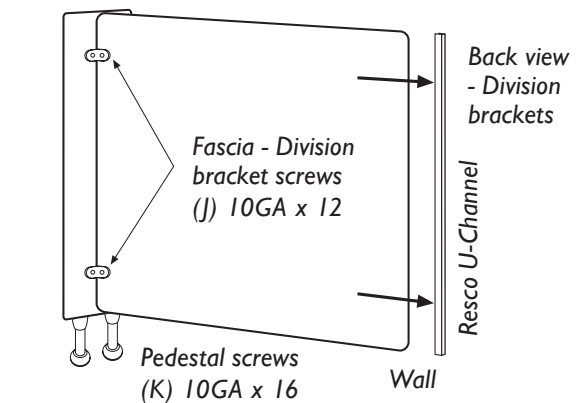
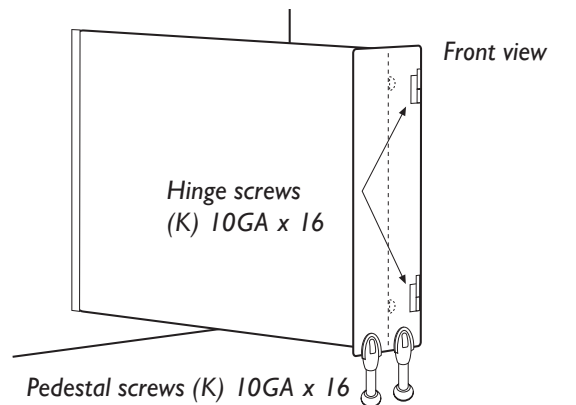
**Use (J) 10GA x 12 screws.**

Note: If a Corner Return ensure that the Division is attached to the correct Fascia.

Screw fix Pedestals to Fascia (holes under nylon cover).

**Use (K) 10GA x 16 screws into the Fascia.**

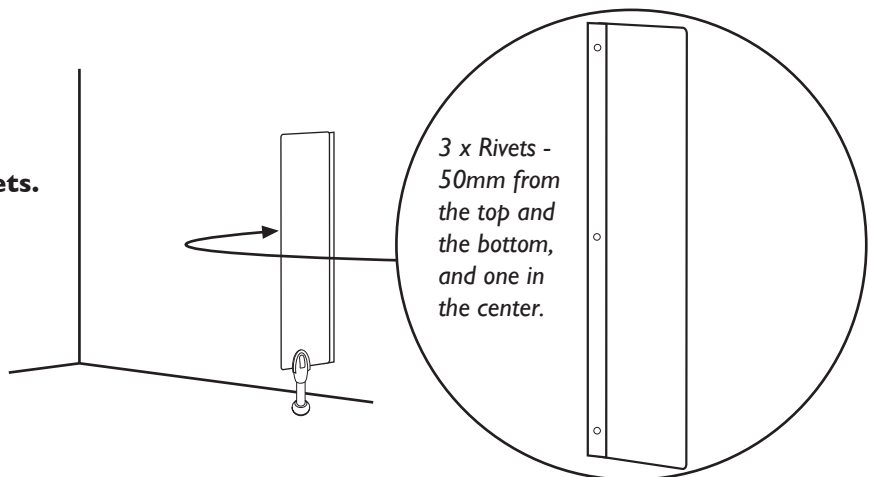
Then ensure all plastic caps are pushed in place over all screws holes.



## Step 6

Fix side Fascia to side U-Channel on the inside of Cubicles.

**Use 3.5mm drill bit with (D) Stainless Steel Pop Rivets.**

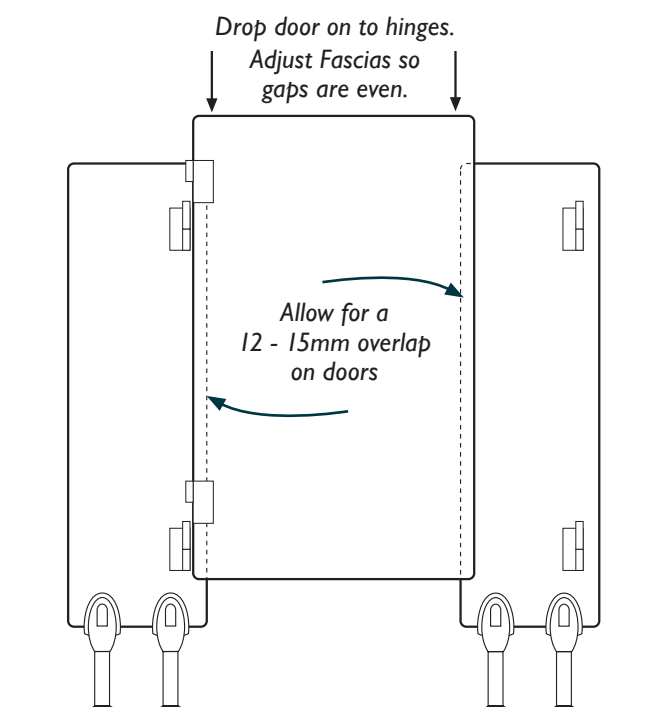
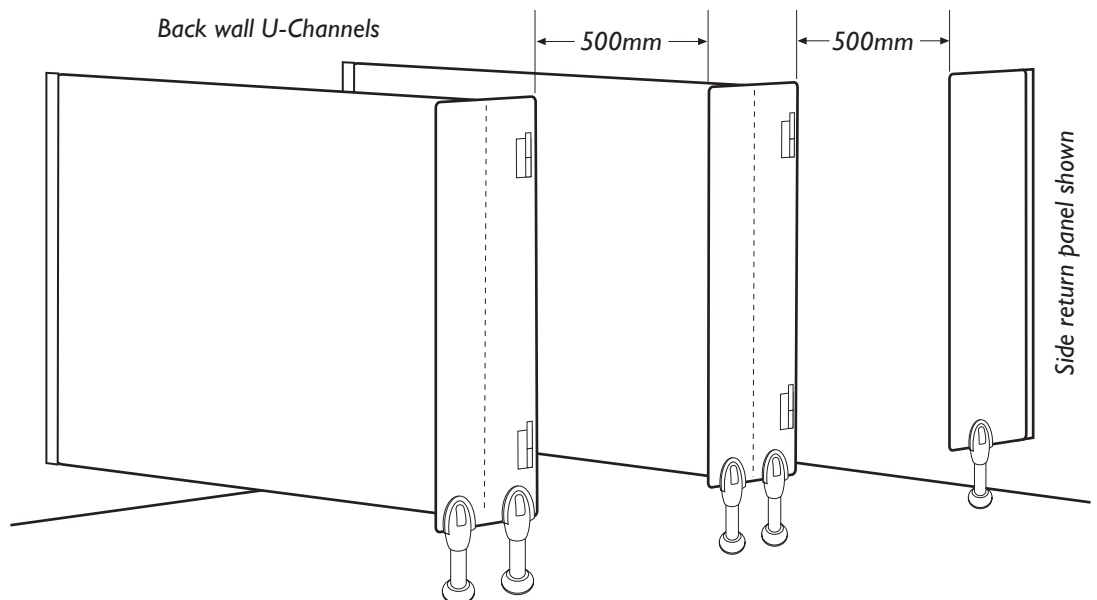


## Step 7

Place all Divisions and Fascia into the appropriate back wall U-Channel.

Ensure that the Corner Return Panel goes into the correct side. (Not pictured)

**Fix with one (D) rivet 50mm down from the top, so it can still adjust in the U-Channel.**



## Step 8

Sit door in place on hinges and ensure there is adequate overlap on opposite Fascia (12-15mm) with a door gap of 500mm.

If required adjust Pedestals to ensure door closes in-line with the top/bottom of Fascia.

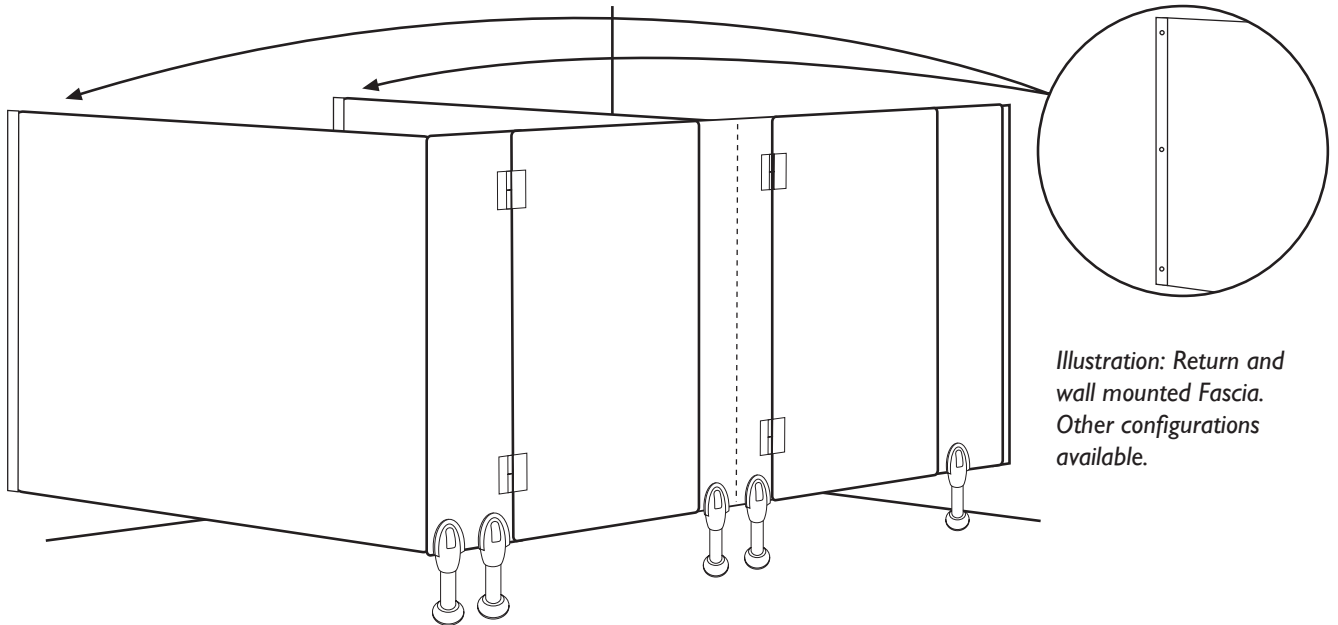
Adjust Fascias so that they are spaced out at 500mm gaps. If required you can adjust the Pedestal heights to ensure that the Fascia edges are plumb.

## Step 9

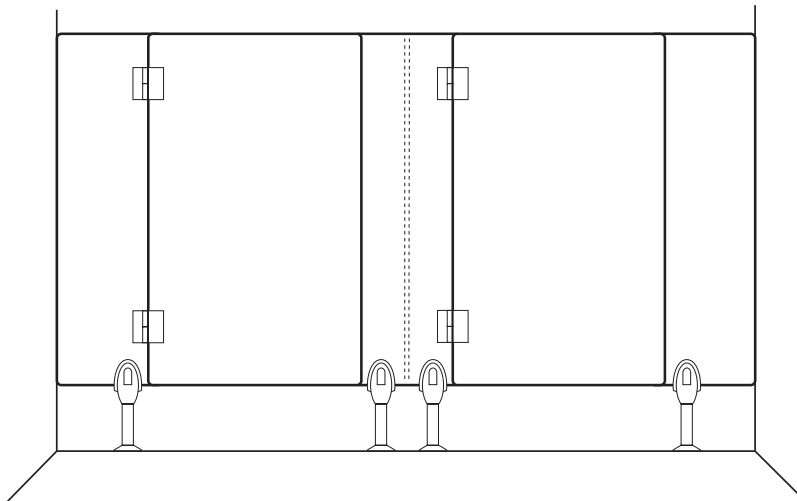
Fix the remaining Division Panels to the U-Channel.

**Use 3.5mm drill bit with (D) Stainless Steel Pop Rivets as shown on step 6.**

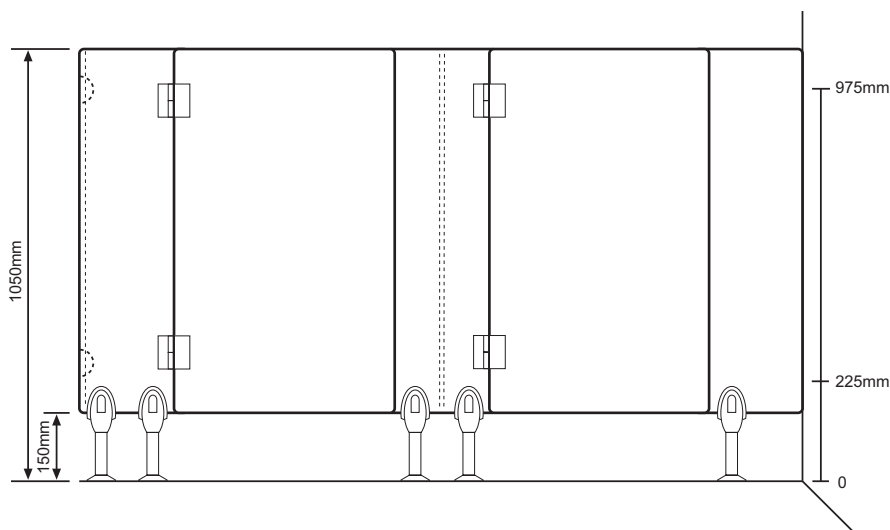
(3 Rivets – 50mm from the top and the bottom and one in the center).



*Illustration: Return and wall mounted Fascia. Other configurations available.*



Typical 2-Cubicle 'wall-to-wall'



Typical 2-Cubicle 'return'

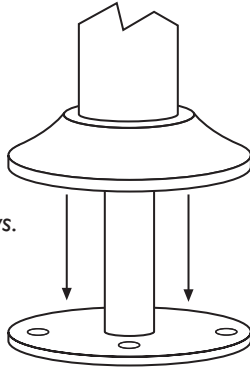
### Step 10

When flush, screw fix Pedestals down to the floor (under nylon cover).

**Use (I) 10GA x 25 screws into timber and (L) 6 x 30 plastic anchors with concrete.**

Ensure the plastic cap is pushed in place over all screws.

*Lift nylon Pedestal cap and fix in place with (I) 10GA x 25 screws.*



### Step 11

#### Fit hardware

Locate and fit Toilet paper holder.

**Use (J) 10GA x 12 screws.**

### Step 12

#### Clean Panels

Clean all components, including pencil marks on the floor and walls.

Sweep floor and remove rubbish.

Wipe down with soapy water.

# RESOCO

Resco Limited.  
12 Kahu Crescent  
Te Rapa Park, Hamilton 3200. New Zealand  
Phone: 0800 800 950, +64 850 1025  
Fax: +64 7 850 1026  
([www.resco.co.nz](http://www.resco.co.nz))

©Resco April 2017

# RESOCO