

Product: Sliding Door	Product Code: SD-1
Installation Guide November 2015	

# RESCO

## *Sliding***Door**

*The versatile easy gliding system*

# Step-by-step Installation Guide

November 2015



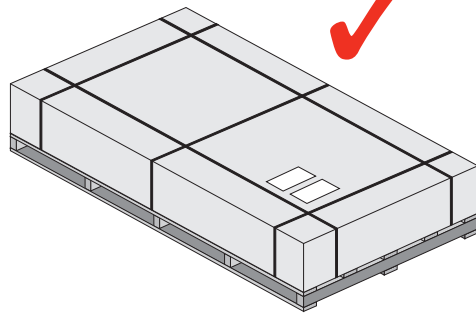
**IMPORTANT**

**SAFE PANEL HANDLING INSTRUCTIONS**

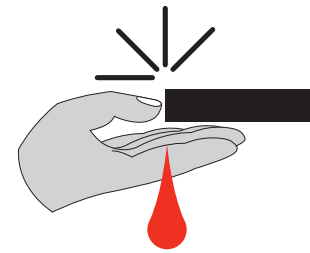


Although Compact Laminate panels are tough and durable, they must be treated with care. Panels can be damaged if not stored or handled properly during assembly.

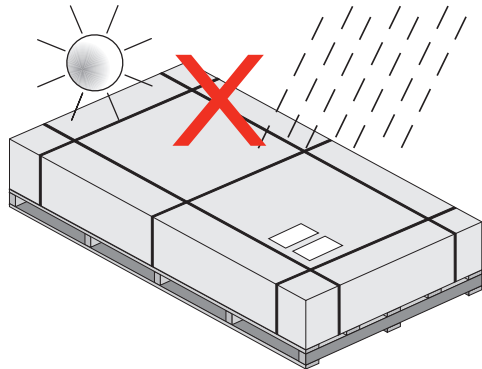
Store inside and keep in original packaging until needed.



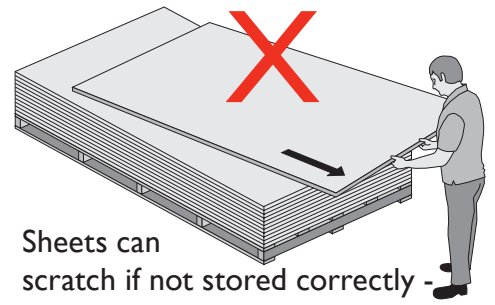
Use caution, machined edges may be razor sharp!



DO NOT store in sun or rain, or at high temperatures.

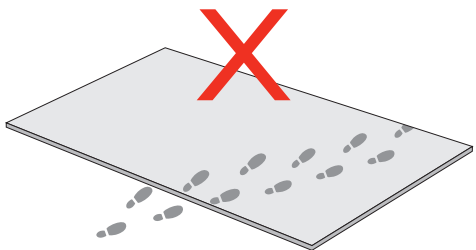


DO NOT slide panels - LIFT them!



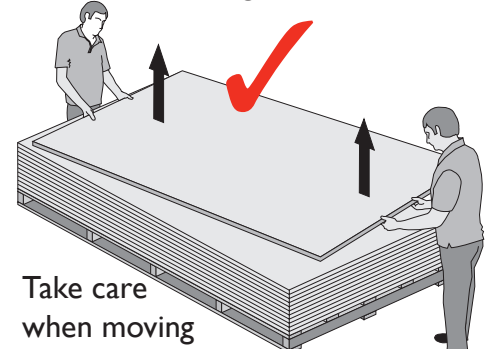
Sheets can scratch if not stored correctly - ensure free of dust and debris.

DO NOT walk-over.



2 MAN LIFT.

Use suction lifting aids if available.



Take care when moving panels they can be damaged if not handled correctly.

IMPORTANT

## CLEANING & MAINTENANCE OF COMPACT LAMINATE

Compact laminate is engineered to last for many years. We provide a 10 year guarantee on panel integrity.

The non-porous surface is easy to clean. The decorative surface and resin core of Compact Laminate is impervious and resistant to most commonly used cleaning agents and disinfectants.



### Recommended cleaning agents

Surfaces can be easily cleaned with a dry or damp cloth and if necessary a mild household cleaner.

- **General cleaning:** All-purpose cleaner (e.g. Ajax Spray & Wipe), household cleaners, water or soap are recommended.

It is resistant to everyday wear and tear but needs some attention for harsh conditions and staining.

- **Spray paint:** Turpentine or SPC 80I
- **Permanent marker:** Methylated spirits or SPC 80I

### Never use any of the following on Compact Laminate:

- Do not use abrasive or polishing materials. Abrasive cleaners such as Jif Cream Cleanser, Ajax (powder or liquid), Chemco, Brasso, Mr. Muscle oven cleaner or Scrub free.
- Scourer pads, Wire wool or Sandpaper.
- High pressure water cleaning or steam cleaning of panels is not recommended.
- Neat Janola or other equivalent brands of bleaches.
- Any product containing strong mineral acid such as sulphuric acid, Battery acid, hydrochloric acid, nitric acid or phosphoric acid. Commercial toilet cleaners, grout removers, descalants, rust removers, etc.
- Care must be taken where cleaning agents or solvents are highly acidic or alkaline as these may permanently damage the surface.

### Other Tips:

- The use of CRC or equivalent on hinges and indicator bolts is recommended at least once every 3 months (sooner for challenging environments).
- An occasional re-finish of the exposed edges with an “off the shelf” wood-polish will rejuvenate the original polished seen edges.
- Any chemicals should be washed off so that they don’t keep working on the panels.

See our Web site:

[www.resco.co.nz/product/multicom](http://www.resco.co.nz/product/multicom) - Cleaning instructions

For removal of graffiti – Please call our customer service team **0800 800 950**

## Step-by-step Installation Guide

Follow the installation instructions and reference numbered steps on the illustrations.

## IMPORTANT NOTES

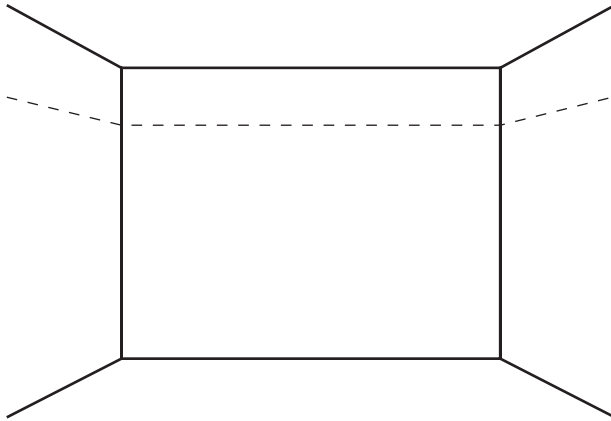
- When screwing into compact you must pre-drill
- Use low setting on your drills when screw fixing into Compact Laminate. Compact Laminate can break screws or damage the head if your drill is too powerful.
- Don't use hammer drills when installing into Compact Laminate.
- Compact Laminate and Aluminium can damage if not stored or treated properly – take care when you are moving sheets. Larger sheets require 2-man lift.
- The system will be packed so division panels are at the top and the doors are at the bottom.
- Use Diamond tip drill bits for drilling into tiles.

Sit in place and ensure that all the doors are perfect before final rivet. Therefore you can adjust. Ensure plumb both ways.

### Tools needed

Level  
String line  
Chalk line  
Stool or small step ladder  
Timber blocks (4" x 2")  
Timber wedges  
Rivet tool  
3.5 mm drill bit  
5 mm Masonry bit  
No. 1 Square drive  
No. 2 Pozi-drive  
Drop saw  
Nylon hammer  
Circular saw  
Clamps

## Step 1



From the plans mark the datum on relevant walls. Normal Datum is 1955mm.

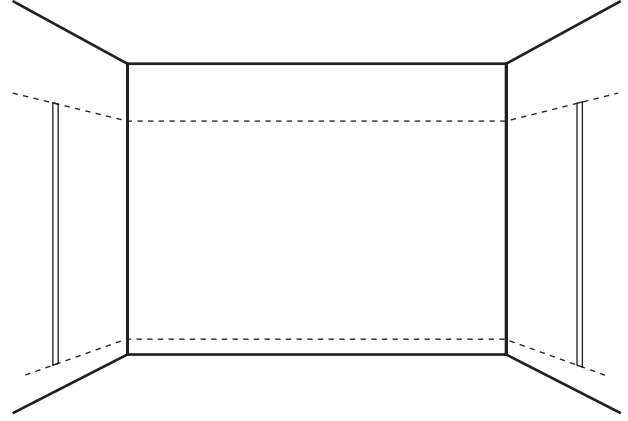
Ensure that the lowest point on the floor is used for Datum otherwise the system could be on an angle, or Head-rail height could be too low.

## Step 2



From the plans, mark the location of the front of the cubicles.

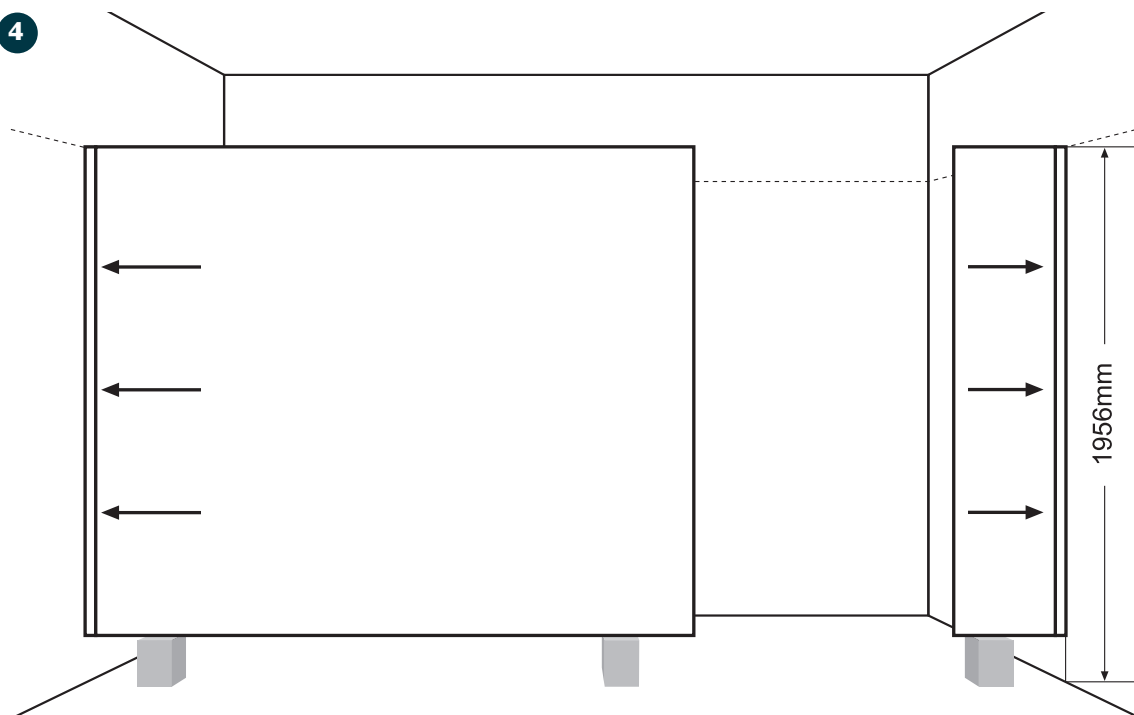
## Step 3



Fix side U-Channels (1795) flush with Datum and centred on marks. The U-Channels are pre-drilled. Ensure screws go into wall frame.

**Use (A) 8GA x 32 screws.**

## Step 4



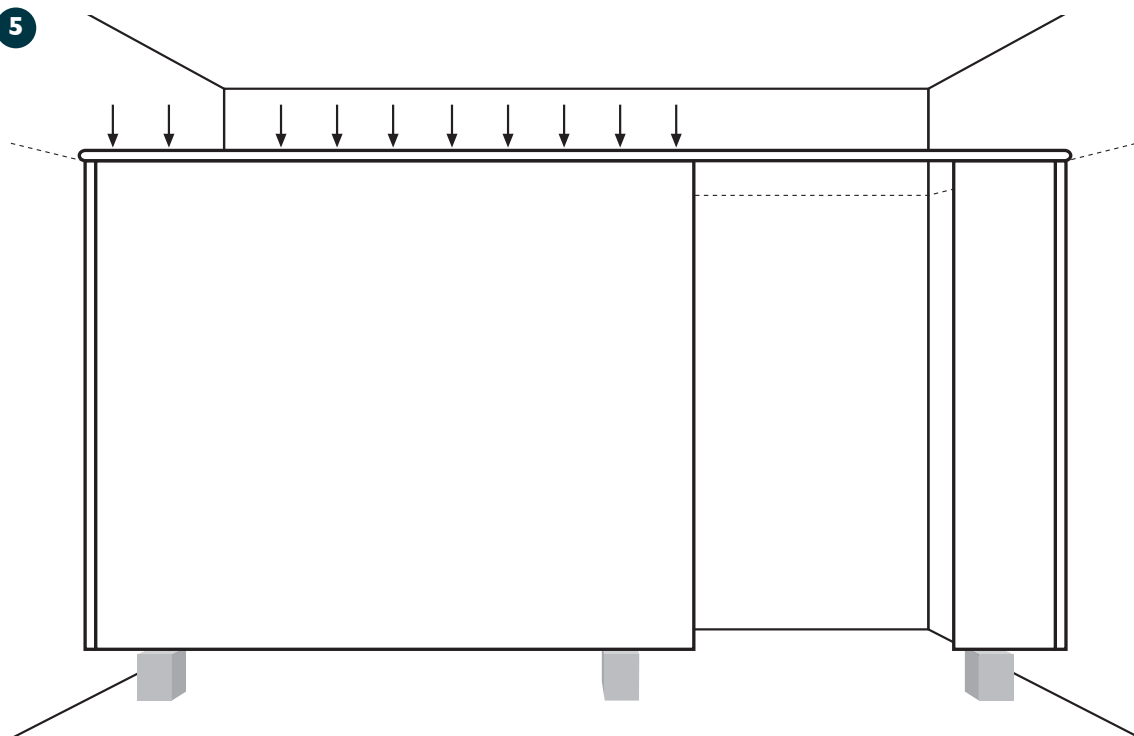
Place Fascias into side U-Channels and place on blocks. Ensure that the bottom is aligned.

Plumb the largest Fascia and then fix on the inside of the cubicle with 4 rivets, 30mm and 600mm down from the top and the same up from the bottom.

**Use 3.5mm drill bit with (D) Stainless Steel Pop Rivets.**

Sit the other end Fascia in place (**do not fix yet**).

## Step 5



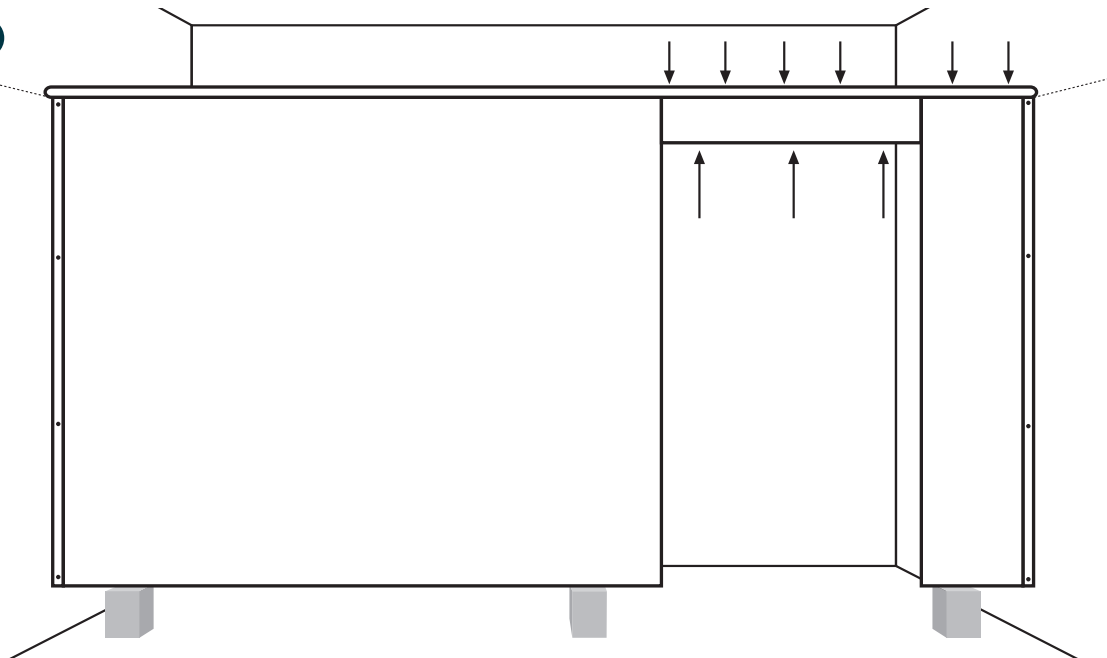
Trim the Head-rail to length and place in position, ensure this is flush with the walls.

Fix into large Fascia, with rivets through the top, 20mm from the end, and then every 200mm.

Ensure you drill holes straight so you don't drill through the panel.

**Use 3.5mm drill bit with (D) Stainless Steel Pop Rivets.**

## Step 6



Place the Head Panel in position, ensure the joints are even and fix in place through the Head-rail every 200mm.

Ensure you drill holes straight so you don't drill through the panel.

**Use 3.5mm drill bit with (D) Stainless Steel Pop Rivets.**

Ensure smaller Fascia join is perfect and fix to the wall Channel on the inside of the Cubicles with 4 rivets, 30mm and 600mm down from the top, and the same up from the bottom.

**Use 3.5mm drill bit with (D) Stainless Steel Pop Rivets.**

## Step 7

Place the U-Channel (with the pedestal included) on to the end of the large Fascia.

Fix on the inside of the Cubicles with 4 rivets, 30mm and 600mm down from the top, and the same up from the bottom.

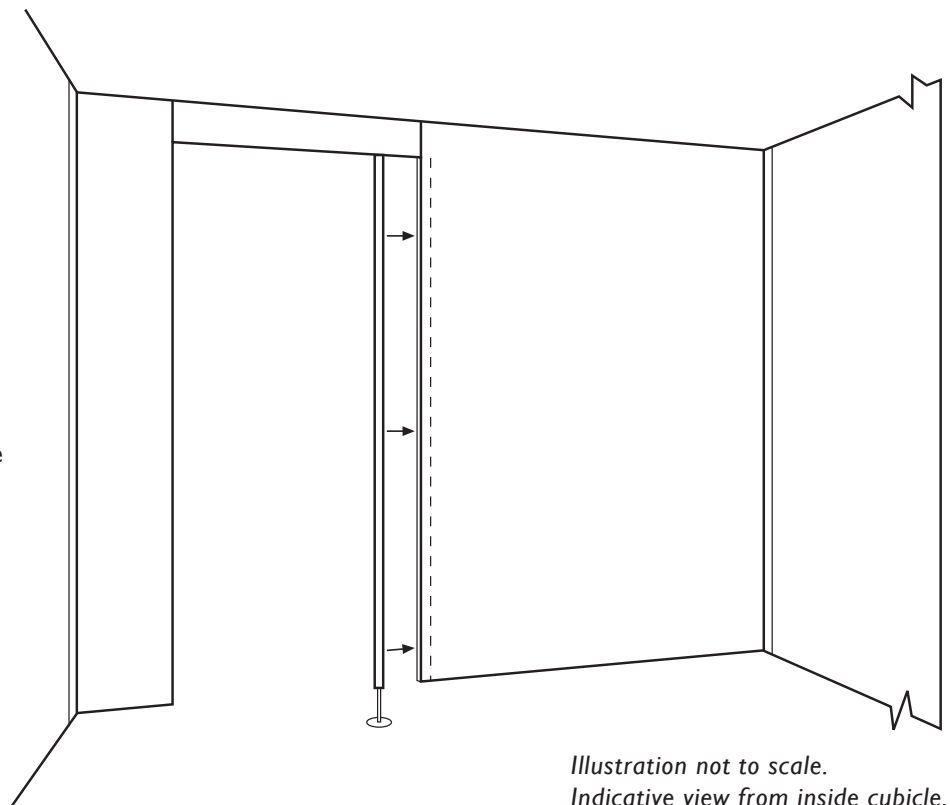
**Use 3.5mm drill bit with (D) Stainless Steel Pop Rivets.**

Also fix the Pedestal in place ensure the holes are aligned.

**Use a 3.5mm drill bit and rivet up 50mm and 150mm from the bottom.**

Fix the Pedestal to the floor.

**Use (A) 32 x 8GA screws plus (F) plastic anchor.**



*Illustration not to scale.  
Indicative view from inside cubicle.*

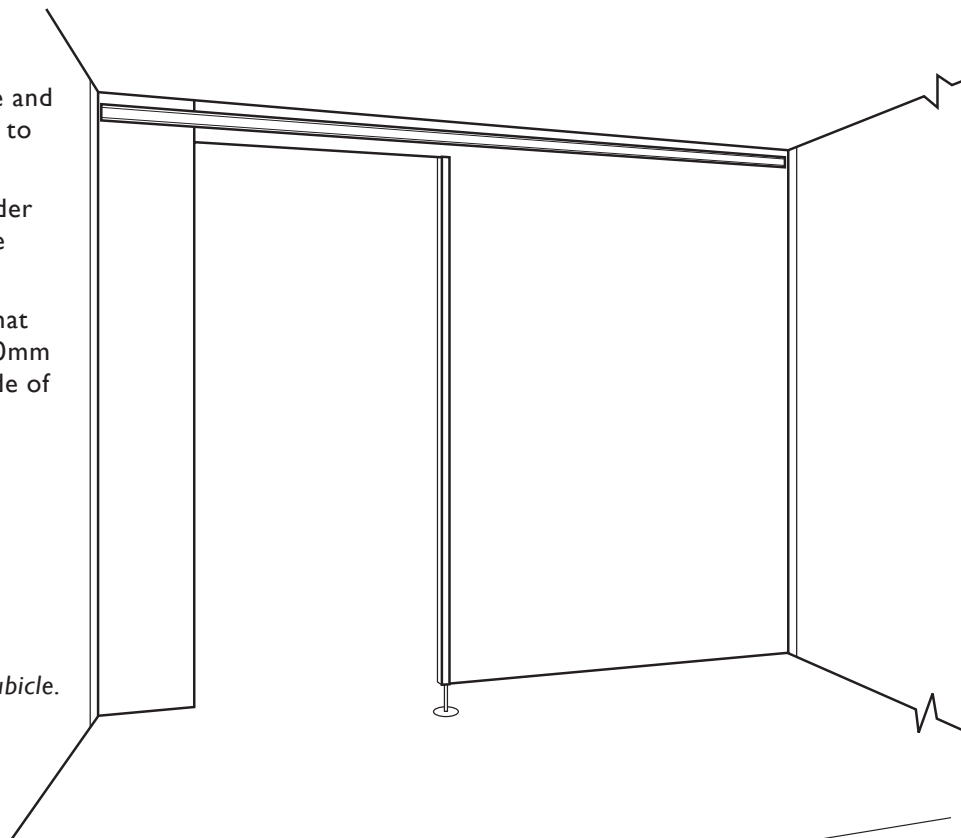
## Step 8

Measure inside the Cubicle and cut the Sliding Door Track to length.

Hold the track in place under the Head-rail and mark the holes. Drill holes.

Use a 3.5mm bit. Ensure that you drill no deeper than 10mm so not to damage other side of the Fascia.

*Illustration not to scale.  
Indicative view from inside cubicle.*



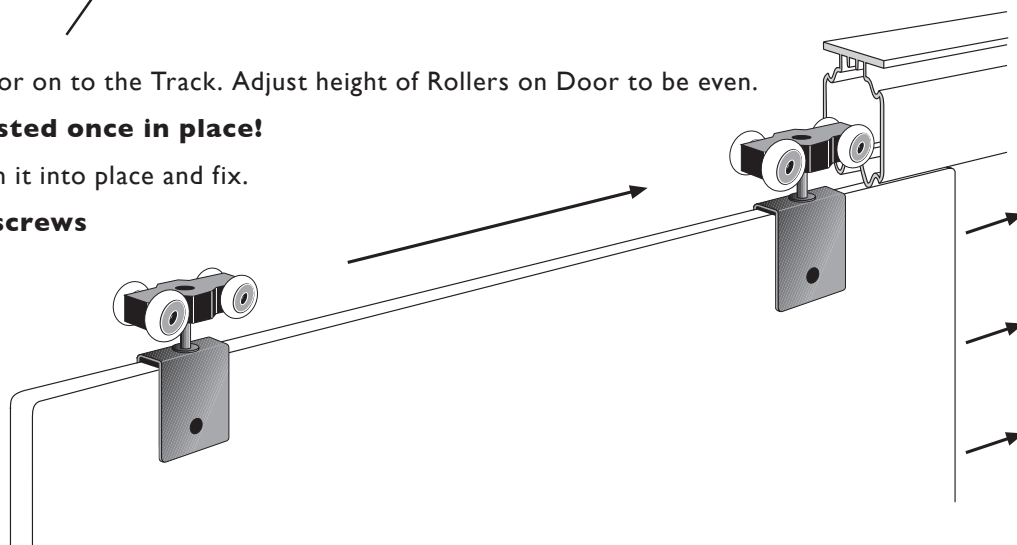
## Step 9

Carefully slide the Door on to the Track. Adjust height of Rollers on Door to be even.

**This can't be adjusted once in place!**

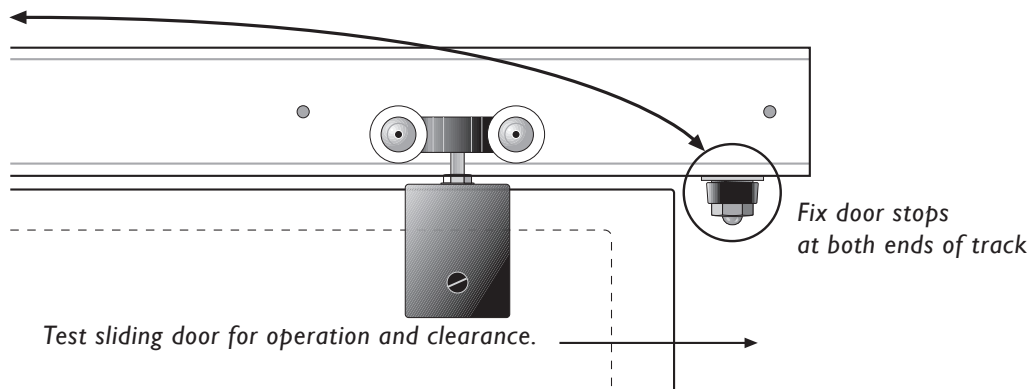
Lift Track with door in it into place and fix.

**Use (B) 8GA x 12 screws**



## Step 10

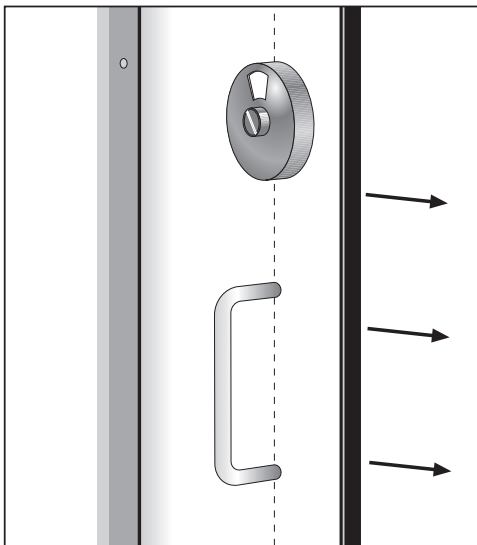
Add stoppers to each end of the track, and adjust so when door is closed it does not hit the indicator bolt/striker, and when open it does not hinder the D-Handle.





## Step 11

Fix hardware.

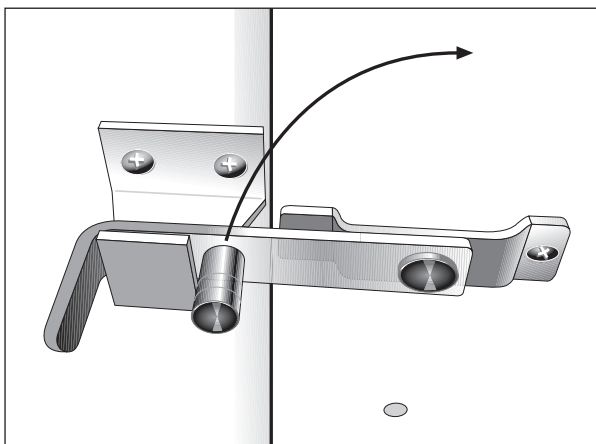


Install indicator bolt.

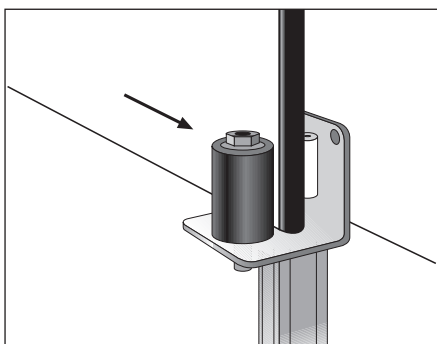
**Use (J) 4G x 12 Panhead screws.**

And D handle.

**Use (W) M4 x 20 Panhead screws.**



Close door and using the indicator latch find the position of the catch.



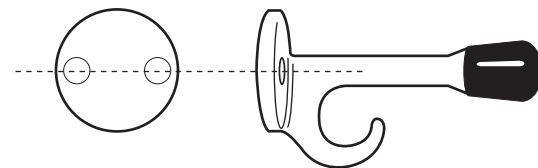
Attach bottom sliding door guide.

**Use (B) 8GA x 12 screws.**

Make sure that the door does not touch or slide directly on the metal guide.

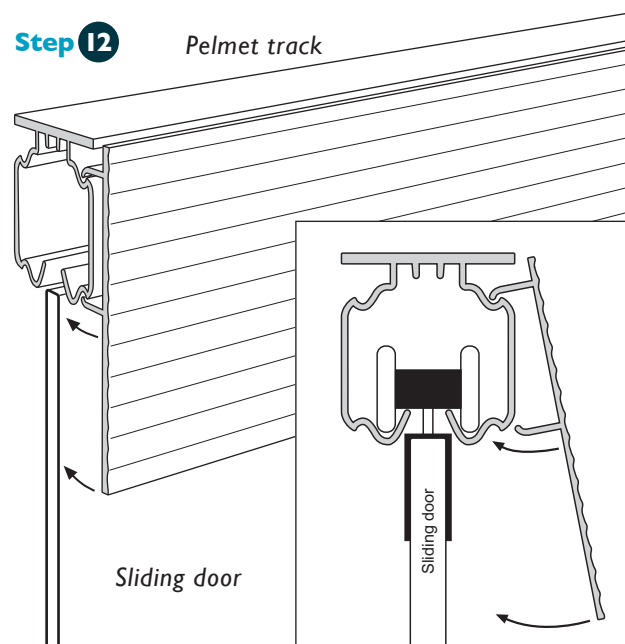
Adjust the guide so that it is suspended with a clearance of approx 5mm below base of door.

Note: The coat hook has **not** been predrilled - Consider wheelchair users when installing the coat hook.



## Step 12

Pelmet track



Snap Pelmet in place.

Rivet in place to stop it coming off.

**Use 3.5mm drill bit with (D) Stainless Steel Pop Rivets.**

## Step 13

Clean panels.

Clean all components, including any pencil marks on the floor and the walls.

Sweep floor and remove rubbish.

If required wipe down with soapy water.

# RESOCO

Resco Limited.

12 Kahu Crescent

Te Rapa Park, Hamilton 3200. New Zealand

Phone: 0800 800 950, +64 850 1025

Fax: +64 7 850 1026

(www.resco.co.nz)

©Resco November 2015